



The Alusmart Series railing system is ideal for both indoor and outdoor applications. The most frequently used areas are hotels, public spaces, public buildings, offices, houses with modern design and villas.



Rich range of products
Multi-product typology and synthesis
Very simple production possibility despite different solution alternatives
Quality material with modern design (anodized quality)
Affordable access to end users
Resistance to various climatic conditions and long life.
Contrary to expectations, low-cost aluminum
Alternative materials
High stock level



ALUSMART 500

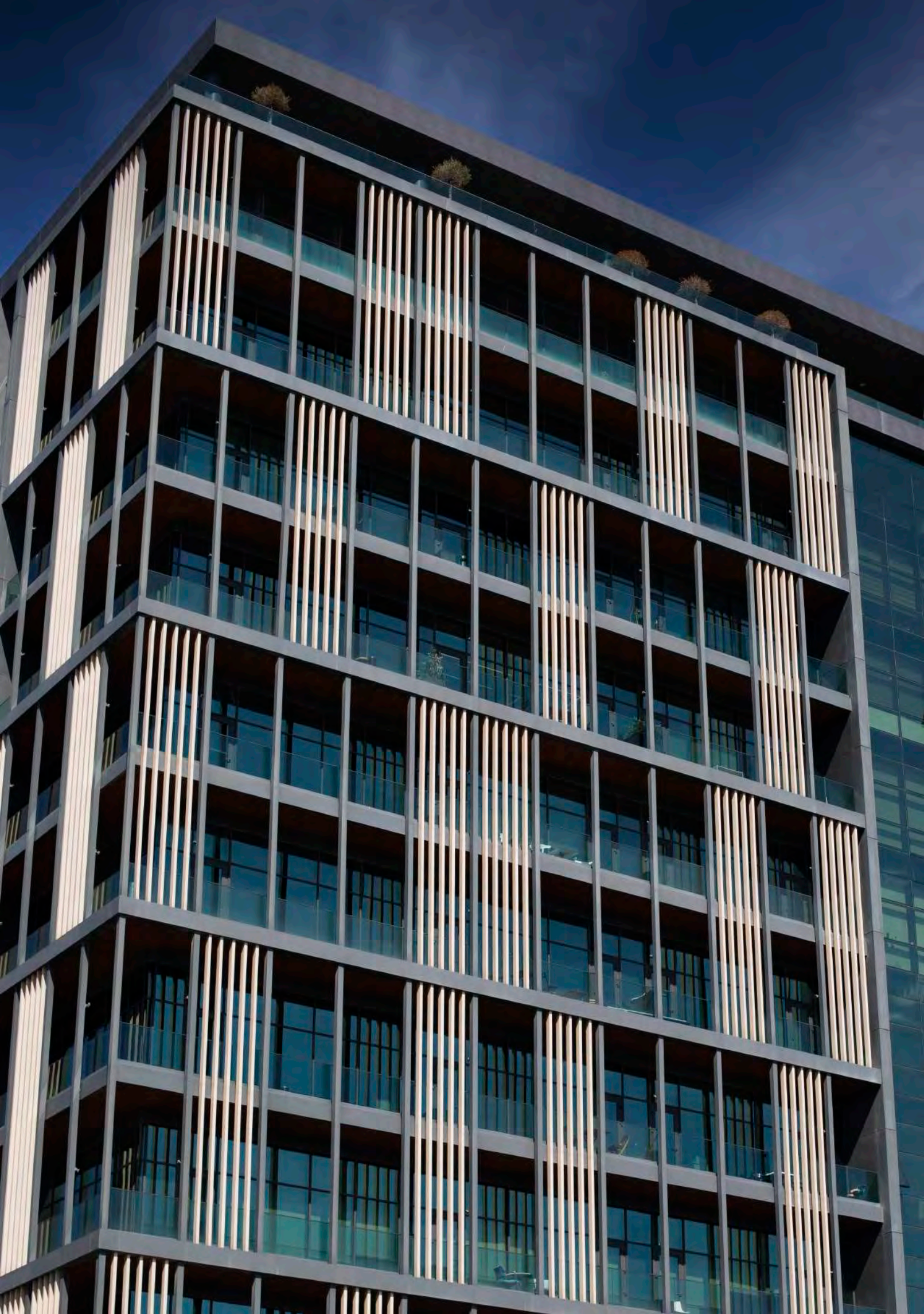
SERIES



ALUSMART 500 SERIES





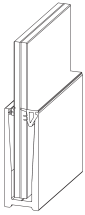




ALUSMART 500

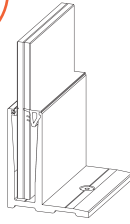
SERIES

Page
Number
12



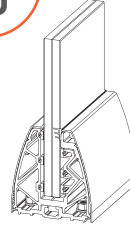
EURO10
SERIES

Page
Number
16



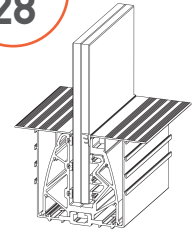
EURO40
SERIES

Page
Number
20



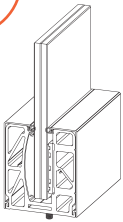
A10
SERIES

Page
Number
28



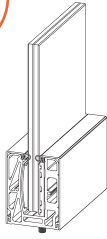
A20
SERIES

Page
Number
30



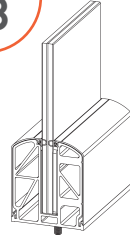
A11
SERIES

Page
Number
34



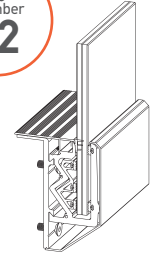
A12
SERIES

Page
Number
38



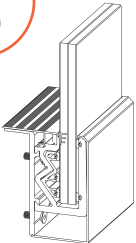
A13
SERIES

Page
Number
42



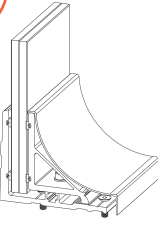
A30
SERIES

Page
Number
46



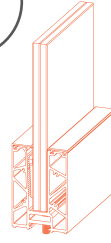
A31
SERIES

Page
Number
50



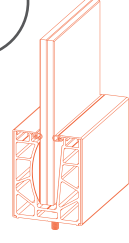
A40
SERIES

Page
Number
54



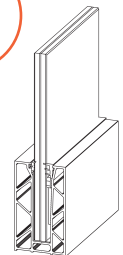
A50
SERIES

Page
Number
58



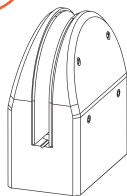
A51
SERIES

Page
Number
62



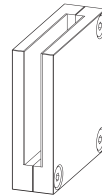
A52
SERIES

Page
Number
66



A60
SERIES

Page
Number
92



A66
SERIES





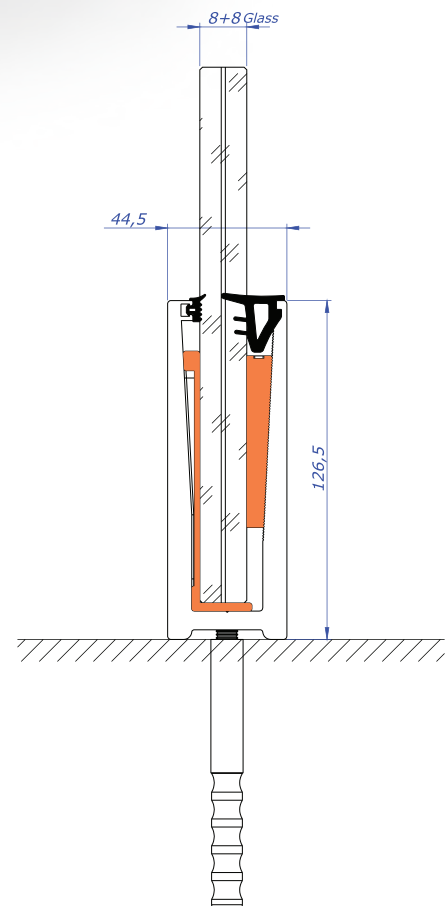
EURO10

SERIES



Alusmart Euro 10 System, one of our rich profile options, is suitable for different architectures, stands out with its reliable holding strength and minimalist design.

- Suitable also for large public spaces with demanding safety requirements.
- Complies with worldwide safety and building regulations.
- Aluminium cladding with a stainless steel effect.
- Uses the Safety Wedge system for easy glass installation.
- Complete your desired look by choosing from a range of handrails and cap rails in a variety of materials, shapes and sizes.





EURO10

SERIES



500-711
Euro 10 Inner Corner 90°



500-712
Euro 10 Outer Corner 90°



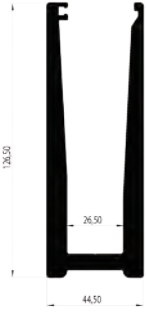
500-713
Euro 10 Inner Corner 45°



500-714
Euro 10 Outer Corner 45°



EURO10 SERIES



4046
Euro 10 Glass Base
Profile - 6 Meters



500-715
Euro 10 Endcap



500-790
Plastic Compression Set



500-791
EPDM Rubber



500-792
EPDM Rubber



500-015
8 Metric Anchor



500-016
8 Metric Anchor



500-018
Inox Bolt M8x25







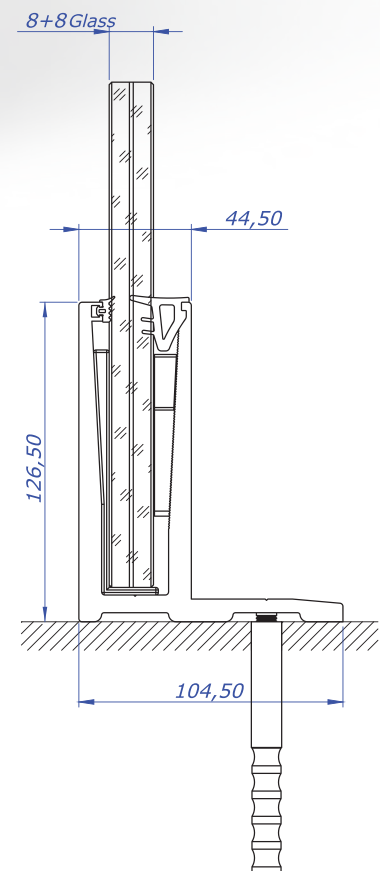
EURO40

SERIES



Alusmart Euro 40 System provides big living spaces and confidence of using 8+8 laminated glass. Designed for safety with its solid design.

- Complies with worldwide safety and building regulations
- Aluminium cladding with a stainless steel effect
- Uses the Safety Wedge system for easy glass installation.
- Complete your desired look by choosing from a range of handrails and cap rails in a variety of materials, shapes and sizes.





EURO40

SERIES



500-741
Euro 40 Inner Corner 90°



500-742
Euro 40 Outer Corner 90°

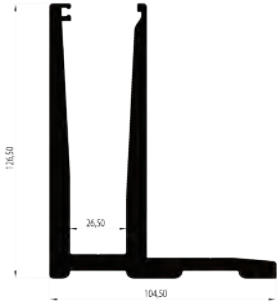


500-743
Euro 40 Inner Corner 45°



500-744
Euro 40 Outer Corner 45°

EURO40 SERIES



4045
Euro 40 Glass Base
Profile - 6 Meters



500-745
Euro 40 Endcap



500-790
Plastic Compression Set



500-791
EPDM Rubber



500-792
EPDM Rubber



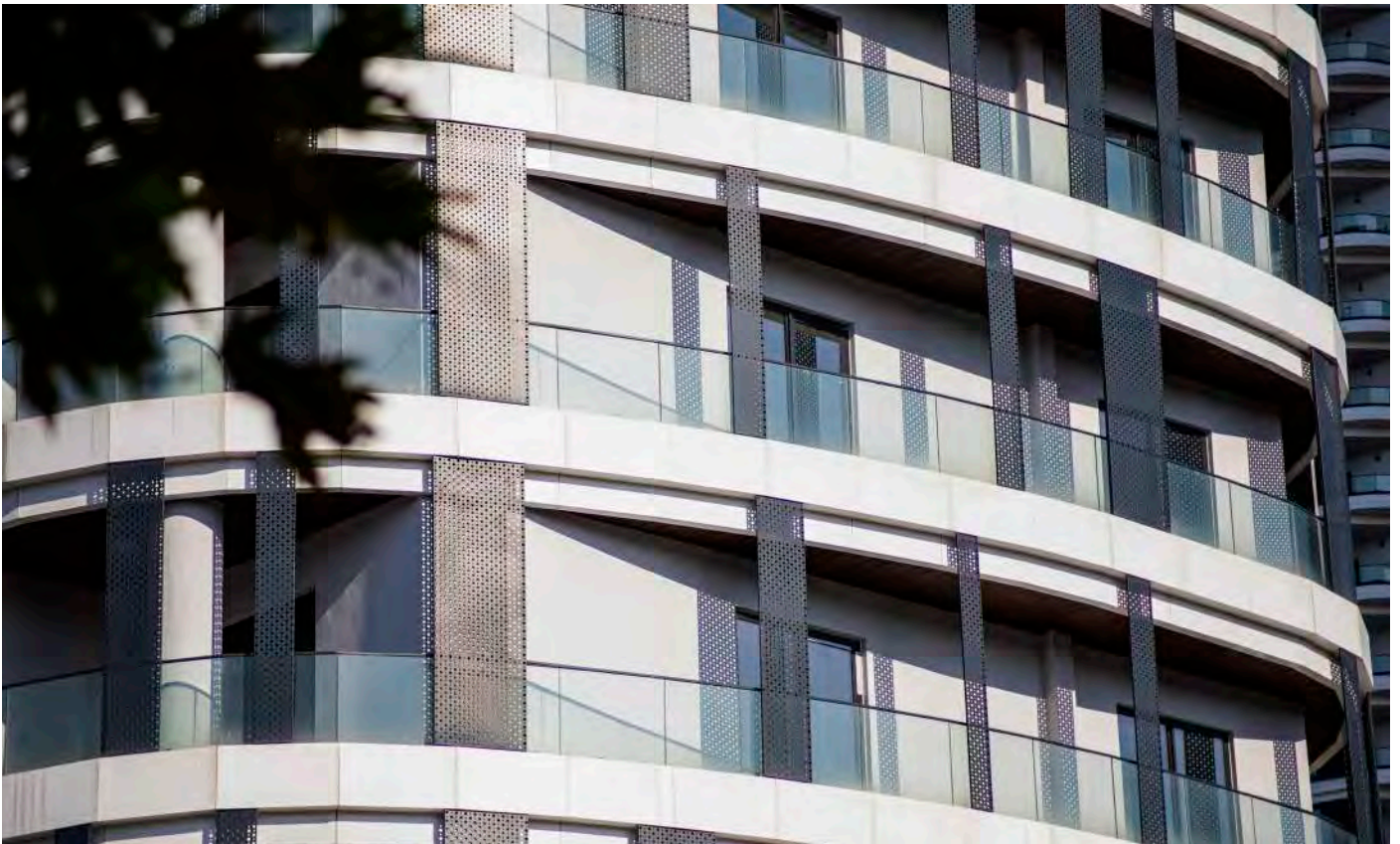
500-015
8 Metric Anchor



500-016
8 Metric Anchor



500-018
Inox Bolt M8x25

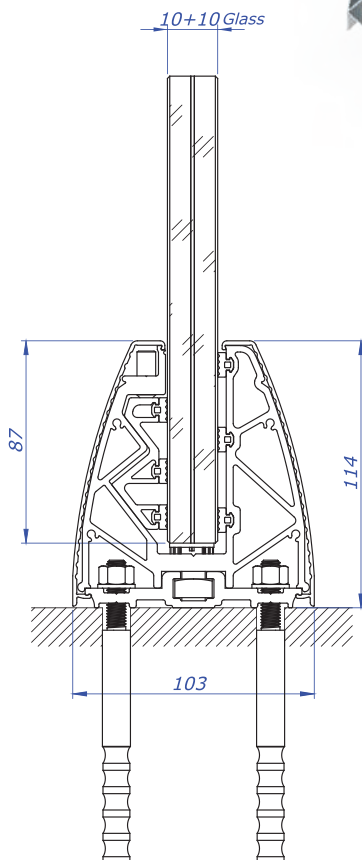






A10

SERIES



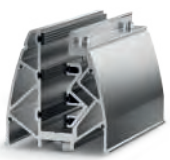
Alusmart A10 System provides you comfort in assembly and installation with its privileged designs and rational solutions.

- Architectural aesthetics by oval and angled cover.
- Strong connection thanks to the rail profile.
- Zero deformation thanks to the glass compression devise.
- Eliminates obliqueness by sequential arrangement.
- Aesthetic design with optional Led Lighting.
- Ready sets of 90° and 45° angled for corners.

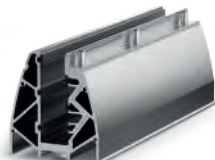




A10 SERIES



500-101
Glass Base Set 15 cm



500-102
Glass Base Set 30 cm



500-104
Glass Base Set 15 cm



500-105
Glass Base Set 30 cm



2987
Base Line Profile
(6 Meters)



500-103
Endcaps



2986
Cover Profile (6 Meters)



500-001
Rubber



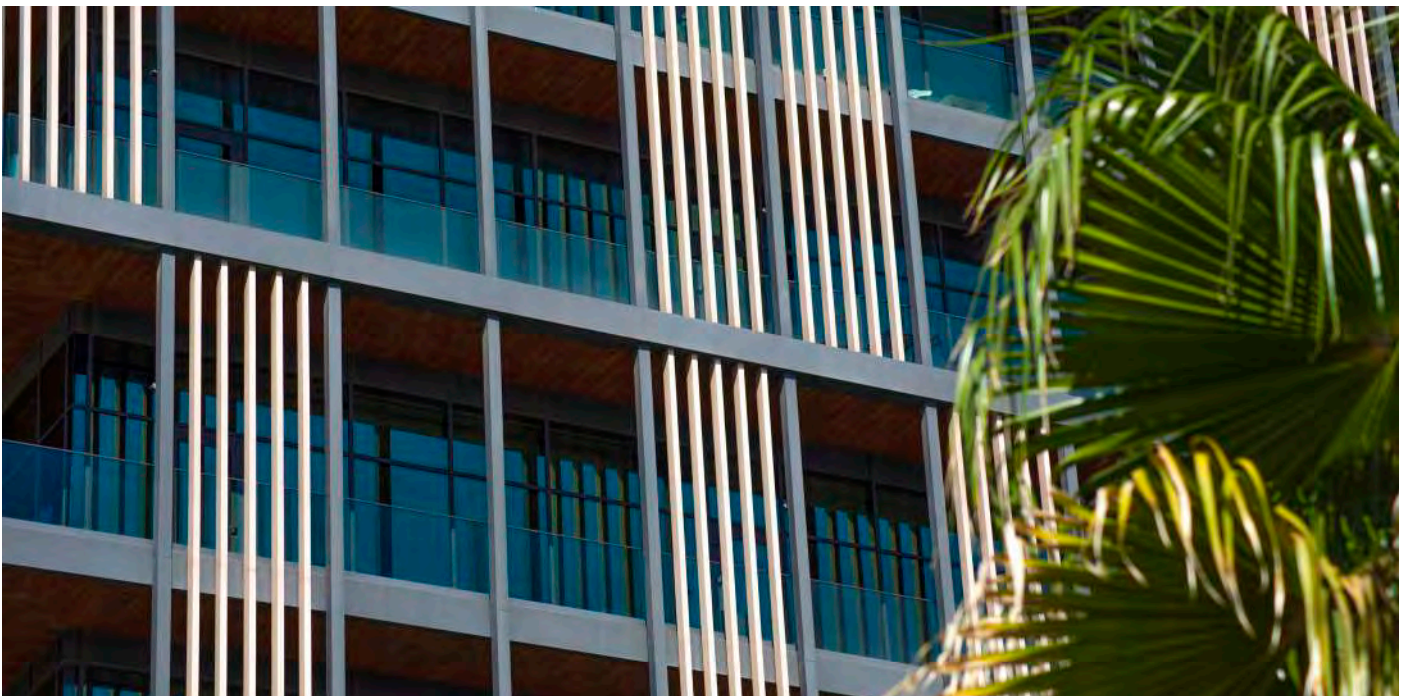
A10 SERIES



500-203
Endcaps



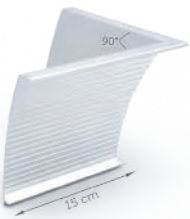
2985
Cover Profile (6 Meters)





A10

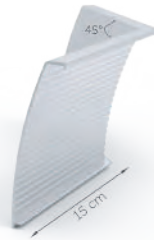
SERIES



500-106
90° Inner Corner For
2986



500-107
90° Outer Corner For
2986



500-108
45° Inner Corner For
2986



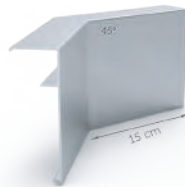
500-109
45° Outer Corner For
2986



500-206
90° Inner Corner For
2985



500-207
90° Outer Corner For
2985

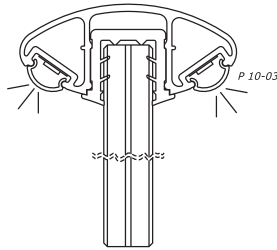


500-208
45° Inner Corner For
2985

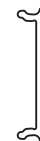
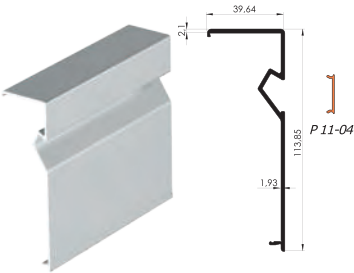
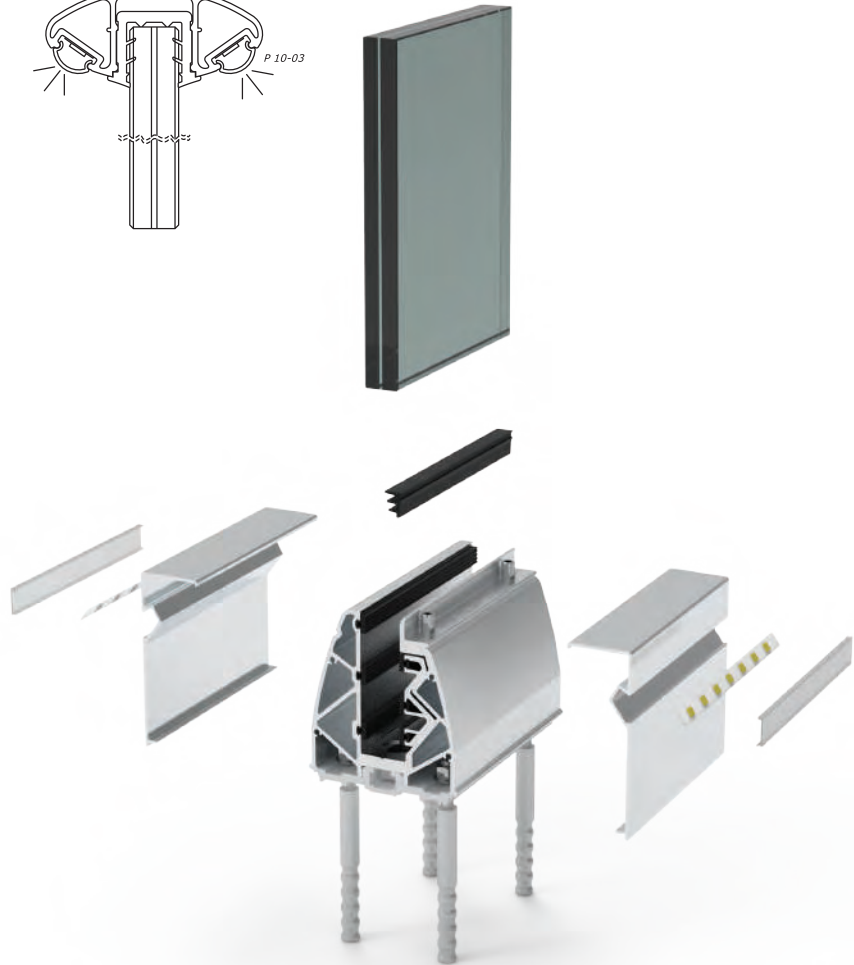
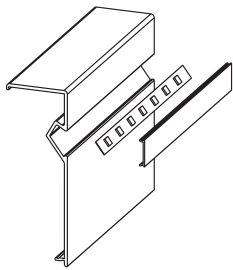
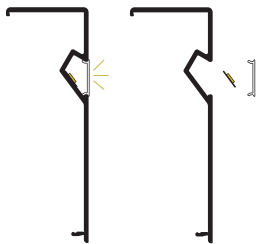


500-209
45° Outer Corner For
2985

A10 SERIES



• Aesthetic design with optional Led Lighting.

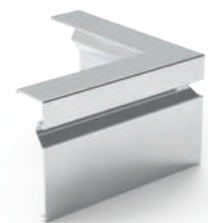


6150
Cover Profile With Led
Channel (6 Meters)

100-036
Led Strip Light

P 10-03
Plastic Led Cover
(6 meters)

P 11-04
Plastic Led Cover
(6 meters)

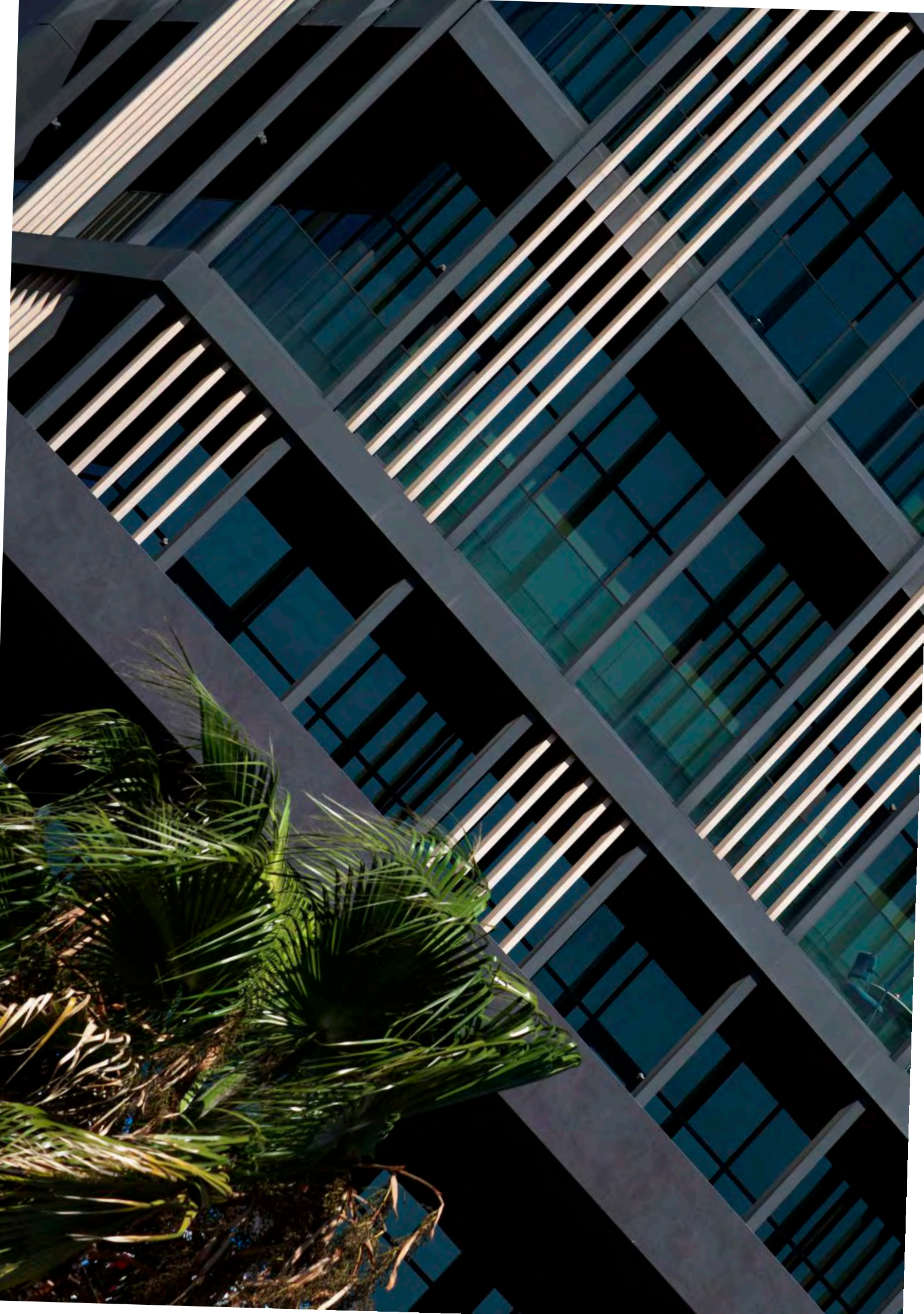


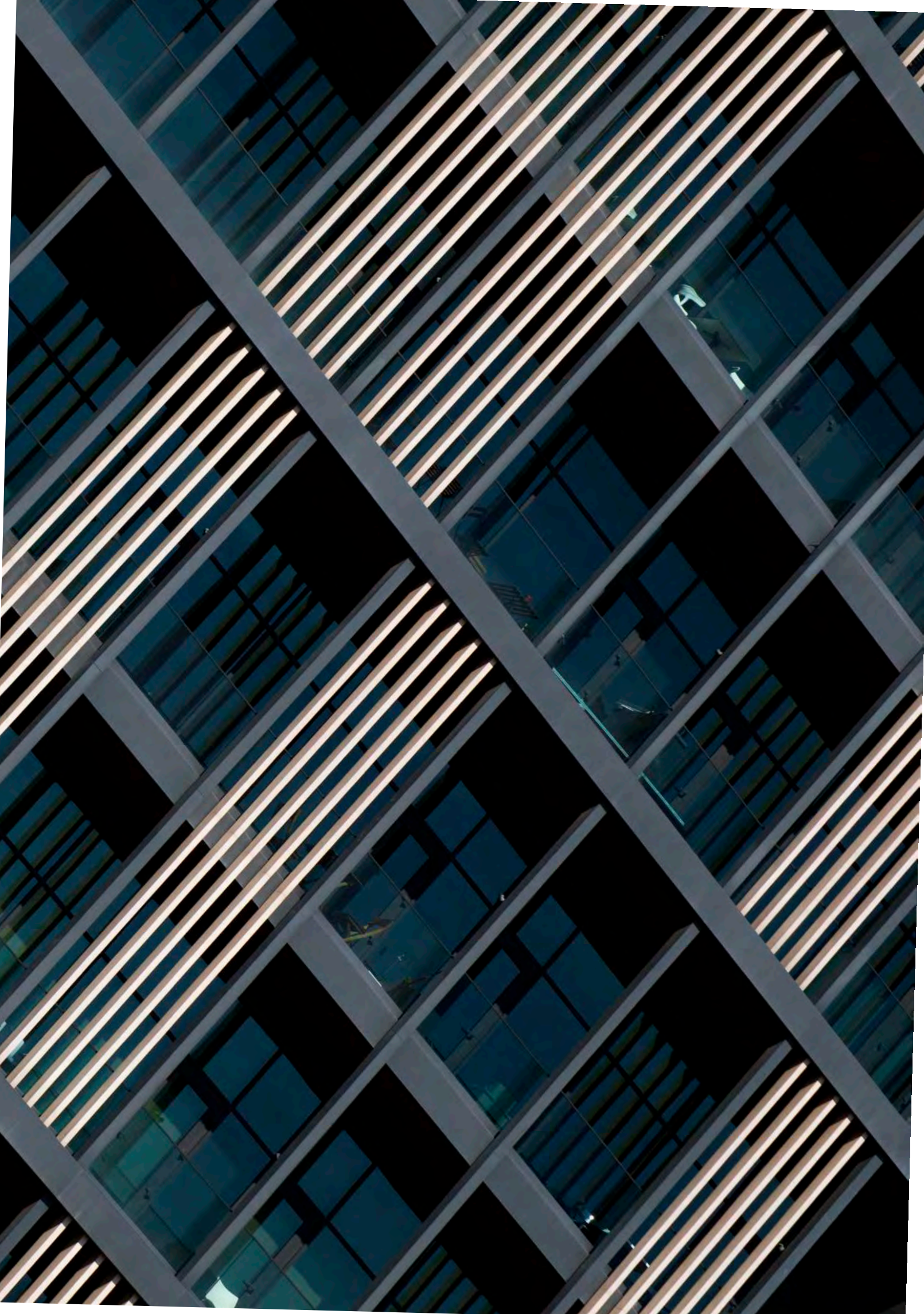
500-132
90° Outer Corner for
6150

500-133
90° Inner Corner for
6150

500-134
45° Outer Corner for
6150

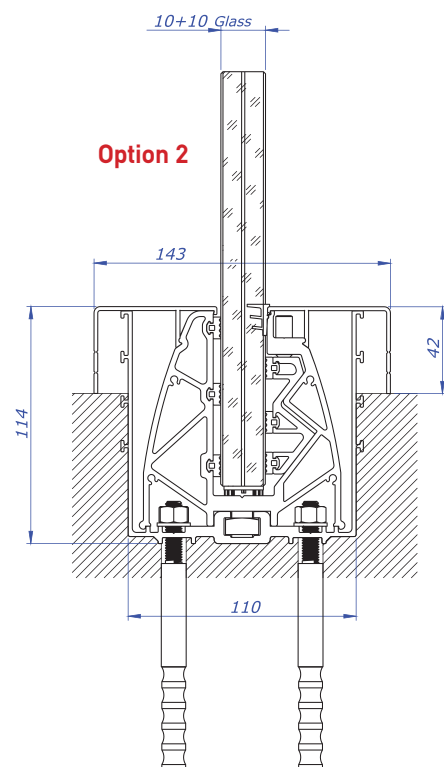
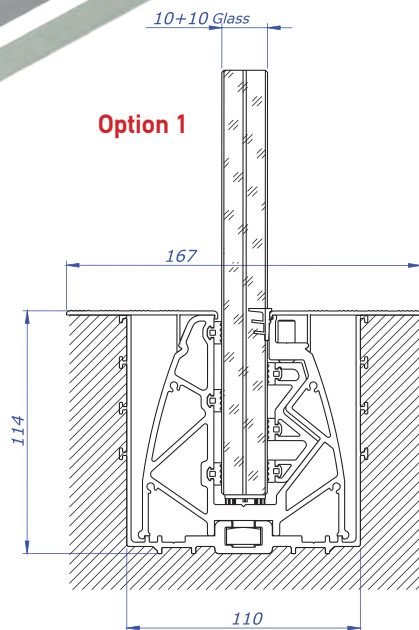
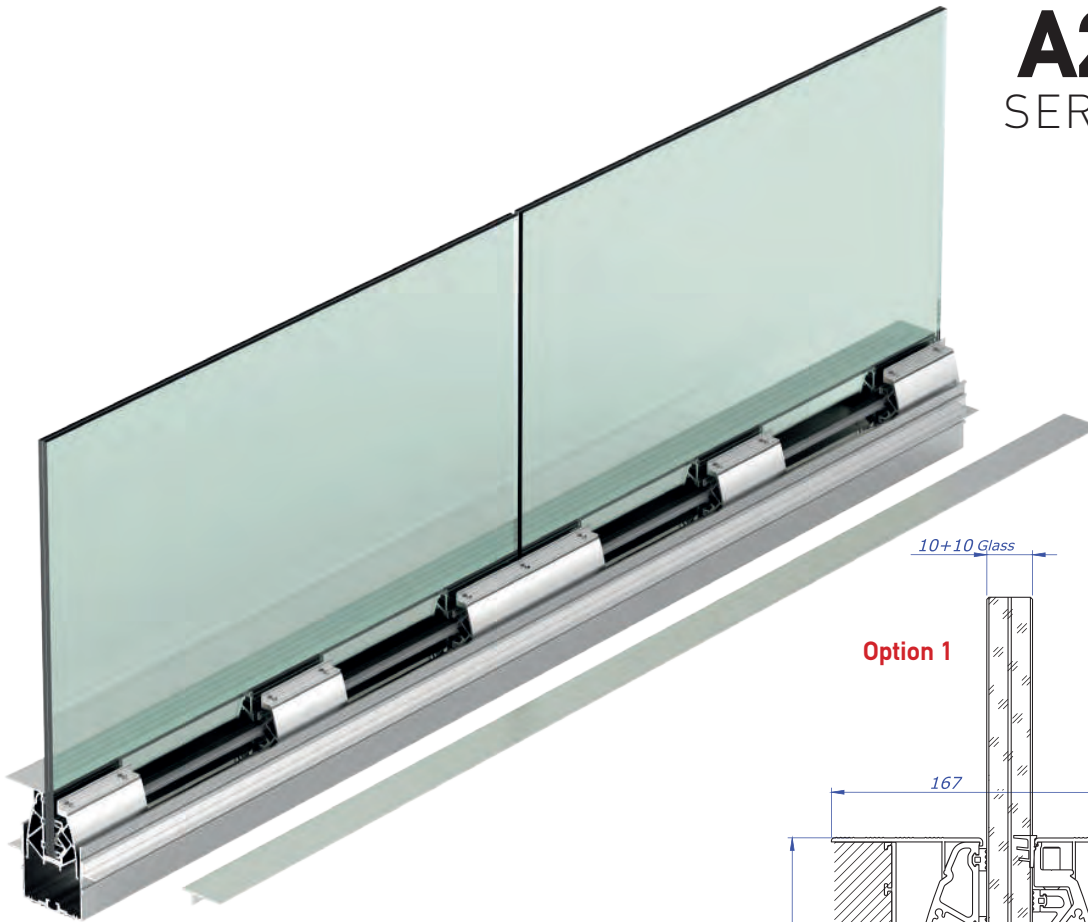
500-135
45° Inner Corner for
6150







A20 SERIES

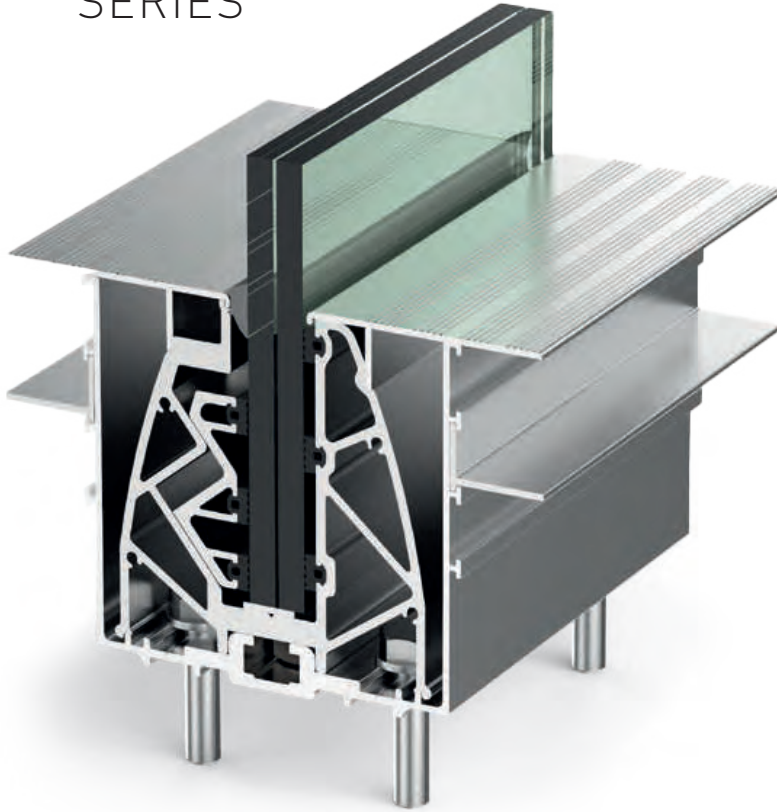


- It is mounted as a recessed type in the ground.
- It's ideal for cafes and shopping malls.
- Thanks to U-shaped rail profile; a high degree of inertia and a strong connection can be made.
- Easy installation saves workmanship and time.
- Because of the glass compression device is made planar and aluminum profile, it does not deform in use for many years and provides high inertia to the system.
- Allows installation of glass up to 20 mm.
- With the design it has, it saves space.
- In the sequential arrangement of the products, it eliminates the problem of obliqueness.

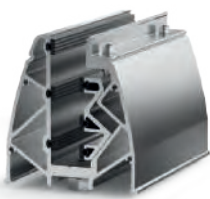




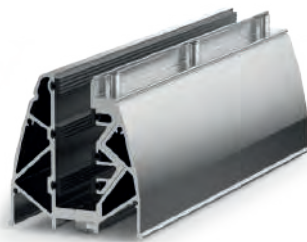
A20 SERIES



The Alusmart Series railing system is ideal for both indoor and outdoor applications. The most frequently used areas are hotels, public spaces, public buildings, offices, houses with modern design and villas.



500-101
Glass Base Set-15 Cm



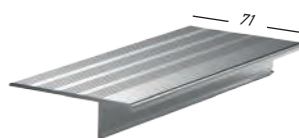
500-102
Glass Base Set-30 Cm



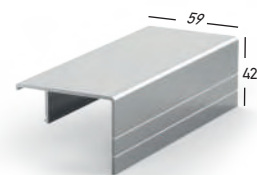
2980
U Profile For Base (6 meters)



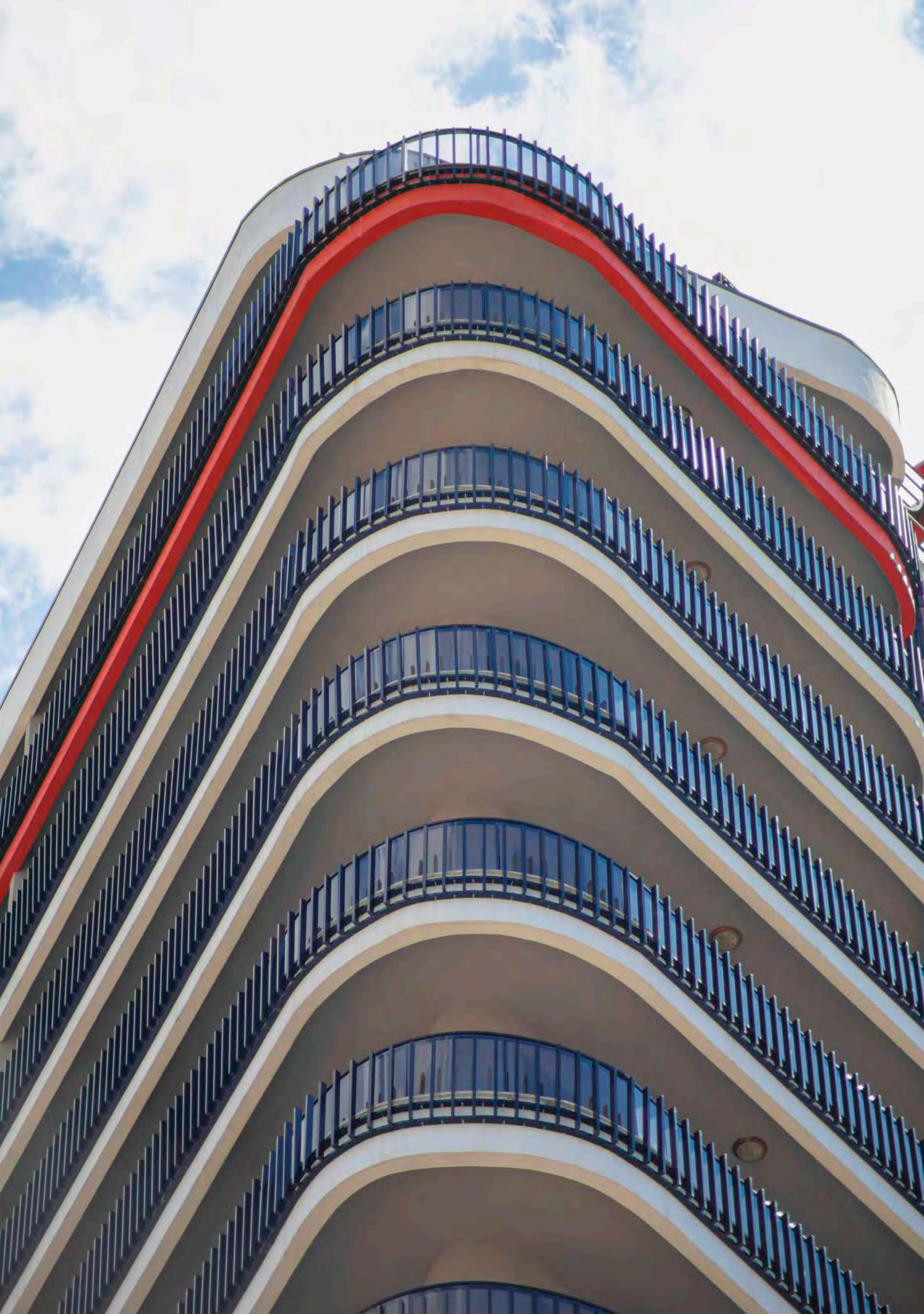
2984
Adjustment Profile (6 meters)



2983
Top Cover Profile (6 meters)



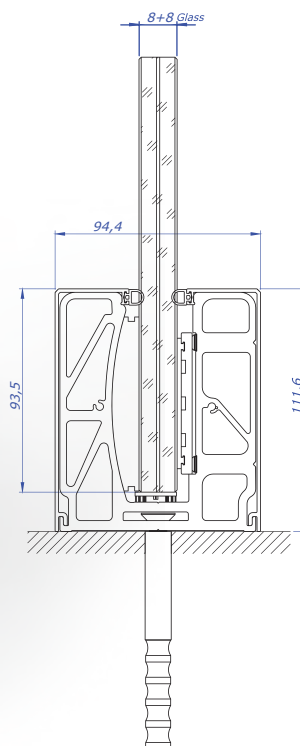
6068
Top Cover Profile (6 meters)





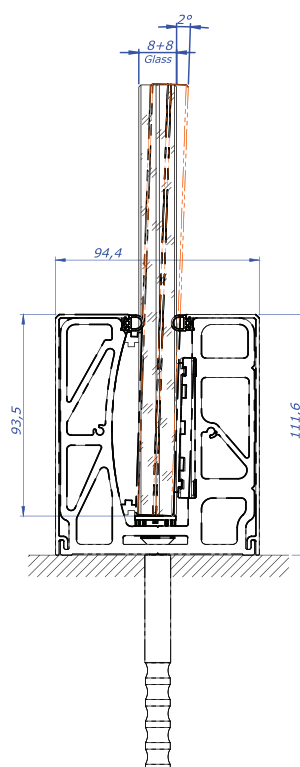
A11

SERIES



Alusmart A11 System allows to use the system in all unbalanced and problematic surfaces.

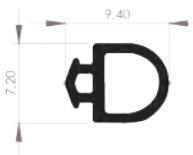
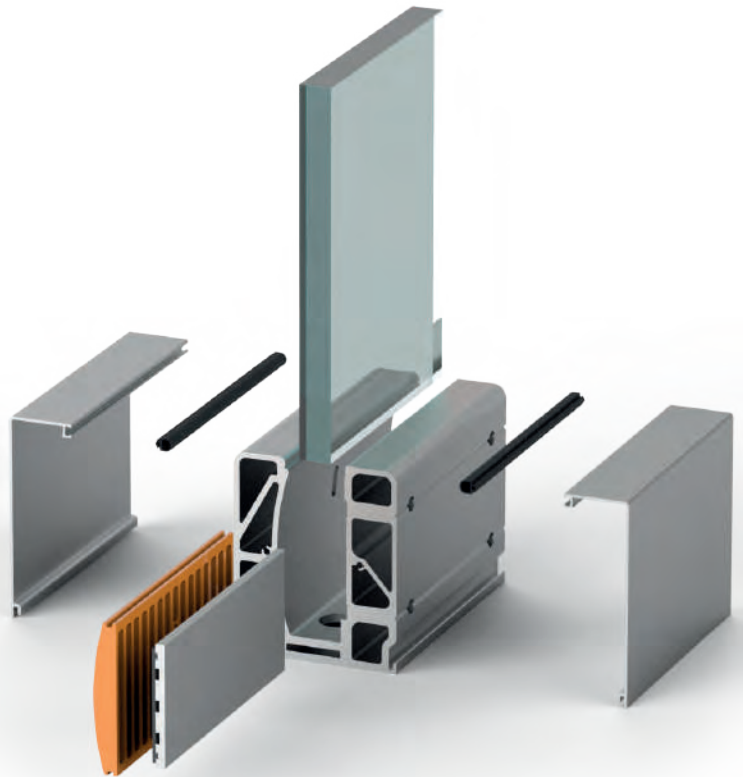
- Allows to align the glass approximately 3° on both sides with its unique plastic structure inside.
- Each glass base sets has glass alignment apparatus inside.
- 500-112 A11 type has 2 separate glass alignment apparatus to align 2 glasses where they meet.
- Suitable with 8+8mm laminated glass.
- High structural strength provides maximum security.
- Zero deformation thanks to the glass compression devise.
- Especially for residences, workplaces, hotels, public areas and stadiums.





A11

SERIES



● **500-116**
Rubber



● **6145**
Cover Profile
(6 meters)



● **500-111**
Glass Base Set-15 Cm



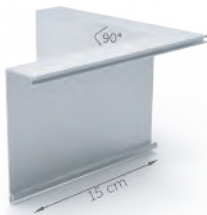
● **500-112**
Glass Base Set-30 Cm



● **500-113**
Endcaps

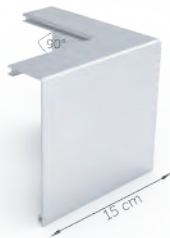


A11 SERIES



500-114

90° Inner Corner For 6145



500-115

90° Outer Corner For 6145



500-116

45° Inner Corner For 6145



500-117

45° Outer Corner
For 6145







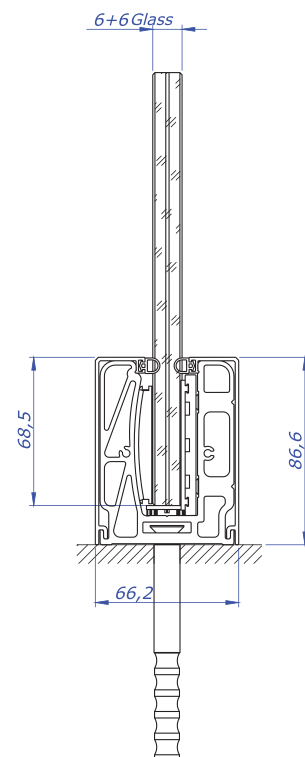
A12

SERIES



Alusmart A12 System allows you to easily mount the system on all unstable and problematic surfaces.

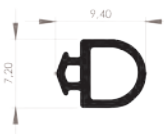
- Allows to align the glass approximately 3° on both sides with its unique plastic structure inside.
- A12 is suitable with 6+6 mm laminated glass and suitable for private houses, workplaces, hotels, public areas, stadiums and so on.
- Each glass base sets has glass alignment apparatus inside.
- 500-112 A12 type has 2 separate glass alignment apparatus to align 2 glasses where they meet.
- Suitable with 6+6mm laminated glass.
- High structural strength provides maximum security.
- Zero deformation thanks to the glass compression devise.
- Especially for residences, workplaces, hotels, public areas and stadiums.





A12

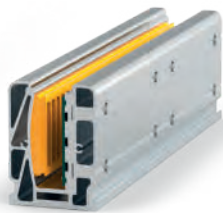
SERIES



● **500-116**
Rubber



● **500-121**
Glass Base Set-15 Cm



● **500-122**
Glass Base Set-30 Cm



● **500-123**
Endcaps



● **6142**
Cover Profile
(6 meters)



A12 SERIES



500-124
90° Inner Corner For 6142



500-125
90° Outer Corner For 6142



500-126
90° Inner Corner For 6142



500-127
45° Outer Corner
For 6142





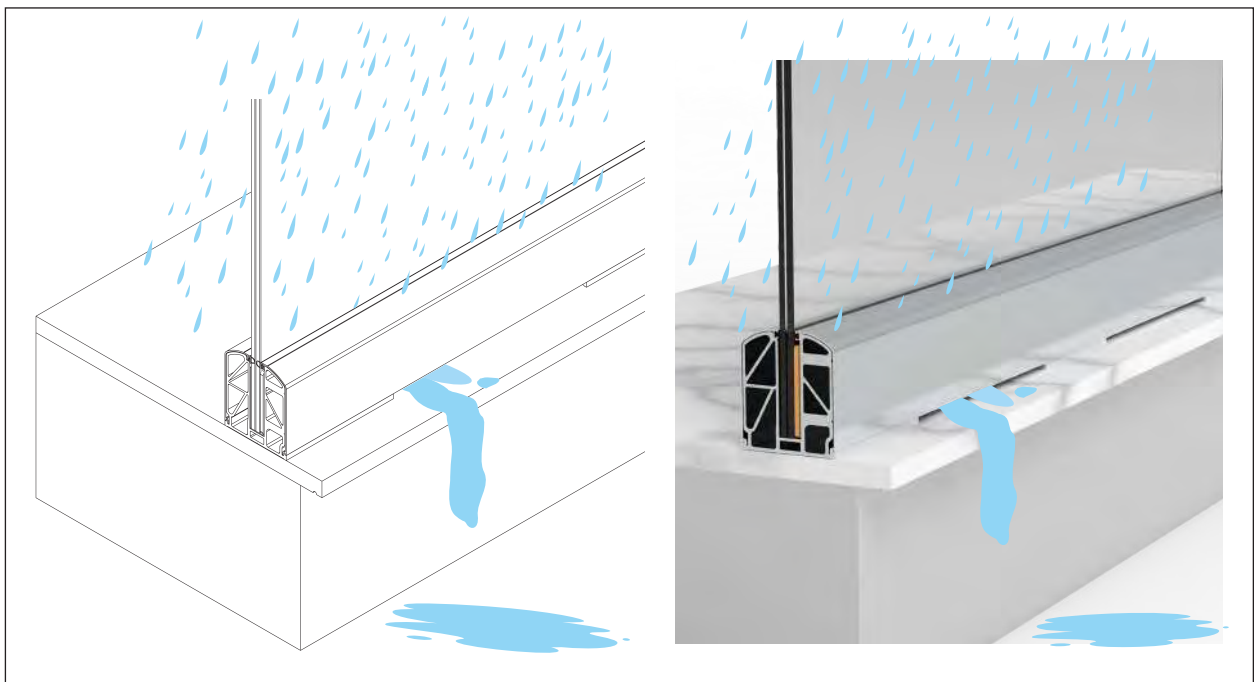
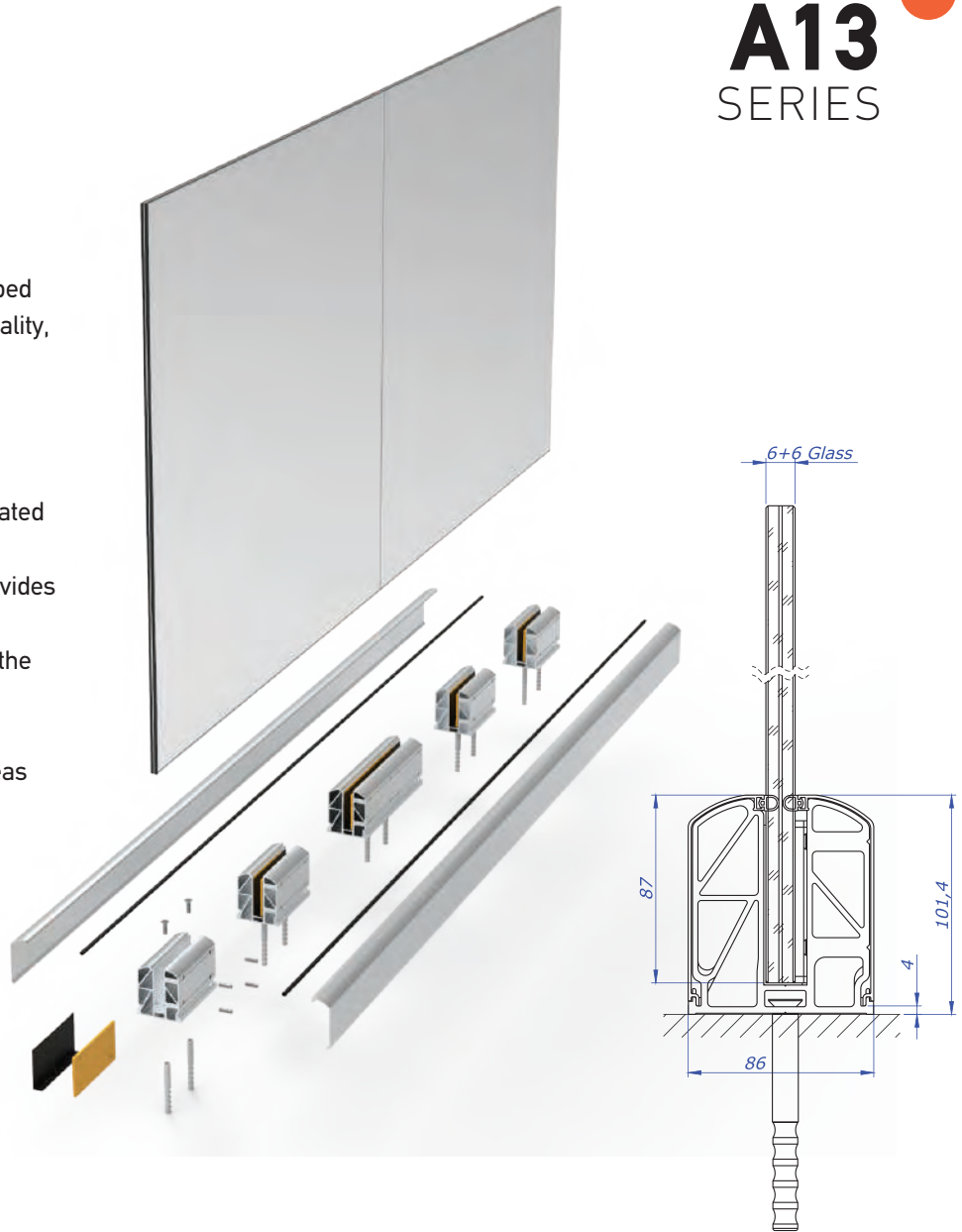


A13

SERIES

Alusmart A13 System developed for who is looking for functionality, stability and durability with aesthetic approach.

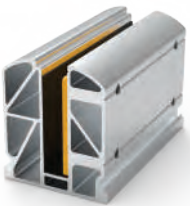
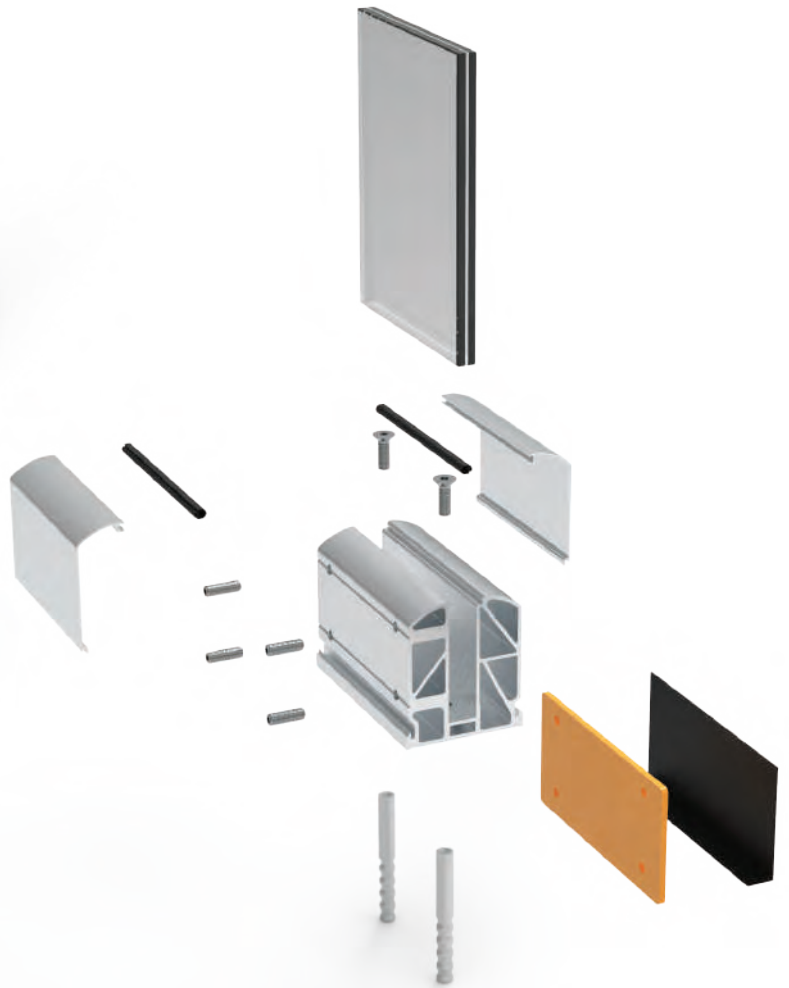
- No need a system for water drainage.
- Suitable with 6+6mm laminated glass.
- High structural strength provides maximum security.
- Zero deformation thanks to the glass compression devise.
- Especially for residences, workplaces, hotels, public areas and stadiums.



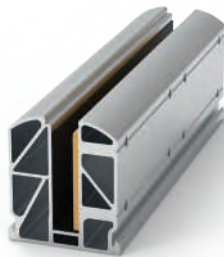


A13

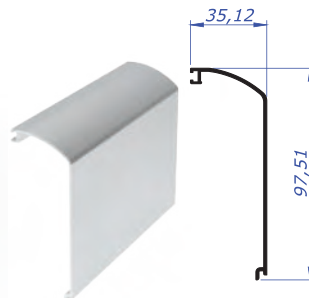
SERIES



500-034
Glass Base Set-15 Cm



500-040
Glass Base Set-30 Cm



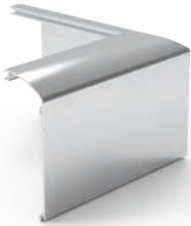
5080
Cover Profile (6 meters)



500-045
Endcaps



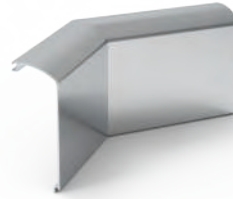
A13 SERIES



500-128
90° Outer Corner for 5080



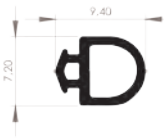
500-129
Inner Corner for 5080



500-130
Inner Corner for 5080



500-131
Outer Corner for 5080



500-116
EPDM Rubber



500-015
8 Metric Anchor



500-016
8 Metric Anchor



500-018
Inox Bolt M8x25

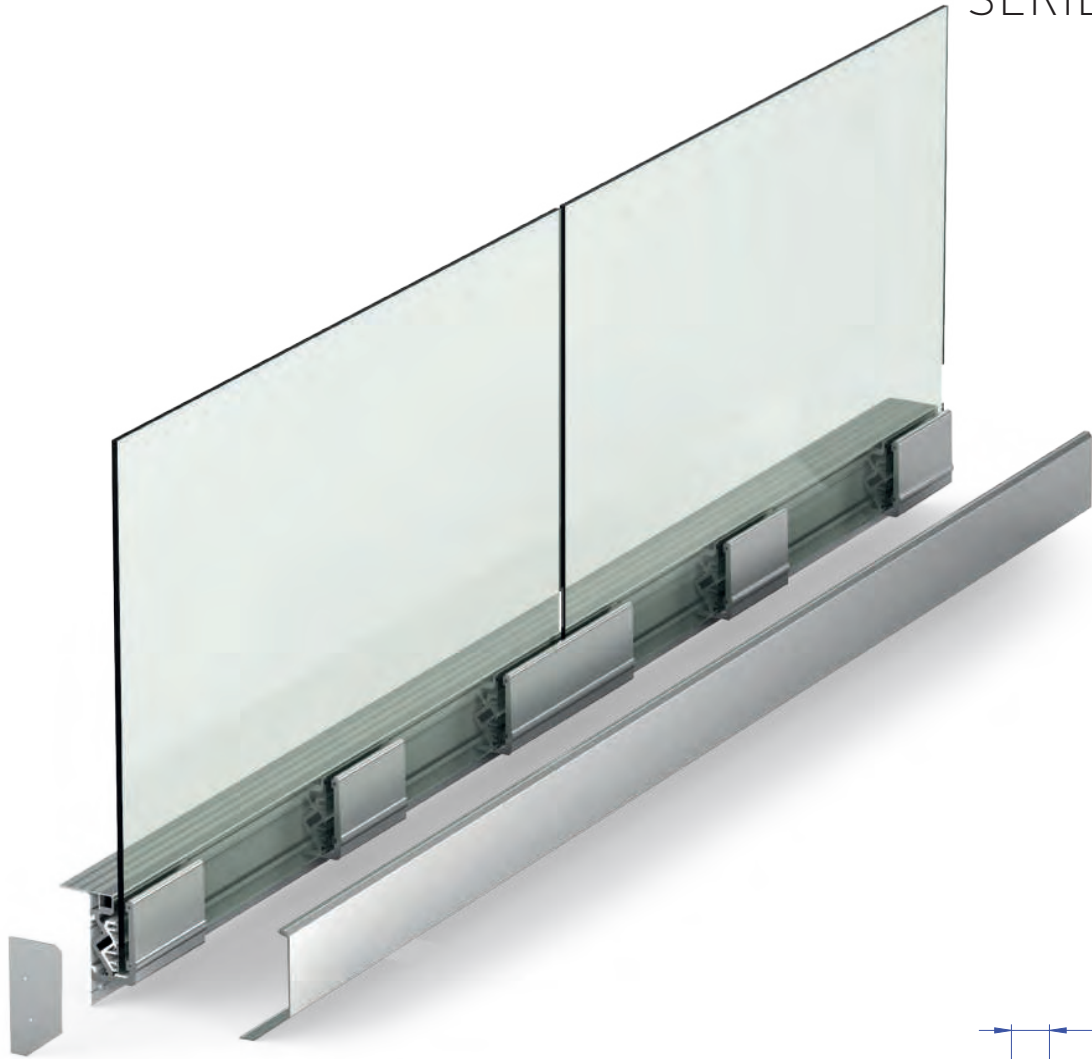






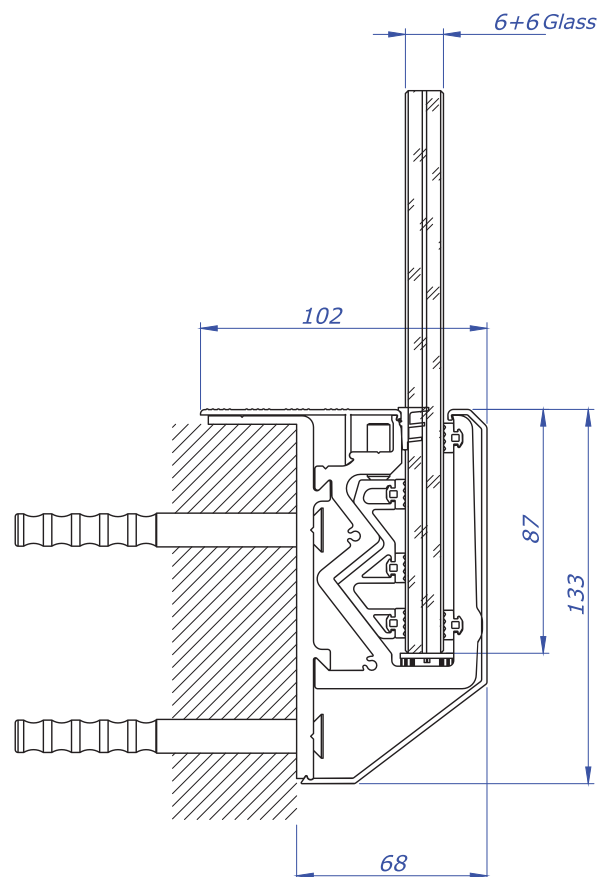
A30

SERIES



Alusmart A30 System; the outer cover can be connected without profiling glass mounting, and no extra operation is required.

- High Structural strength
- Space-saving minimalist design
- High resistance to deformation provides high safety to the system
- Allows installation of glass up to 12 mm





A30 SERIES



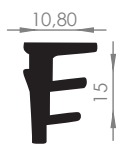
500-301
Glass Base Set 15 cm



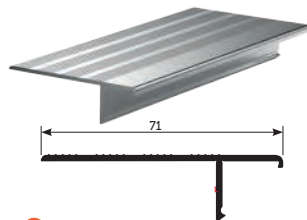
500-302
Glass Base Set 30 cm



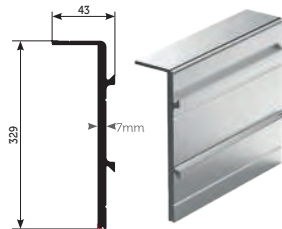
500-303
Endcaps



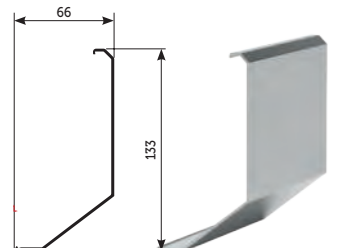
500-001
Rubber



2983
Top Cover Profile
(6 meters)



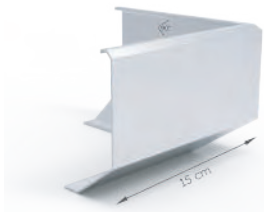
2977
Base Carrier Profile
(6 meters)



2979
Front Cover Profile
(6 meters)



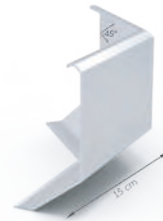
A30 SERIES



500-304
90° Outer Corner For
2979



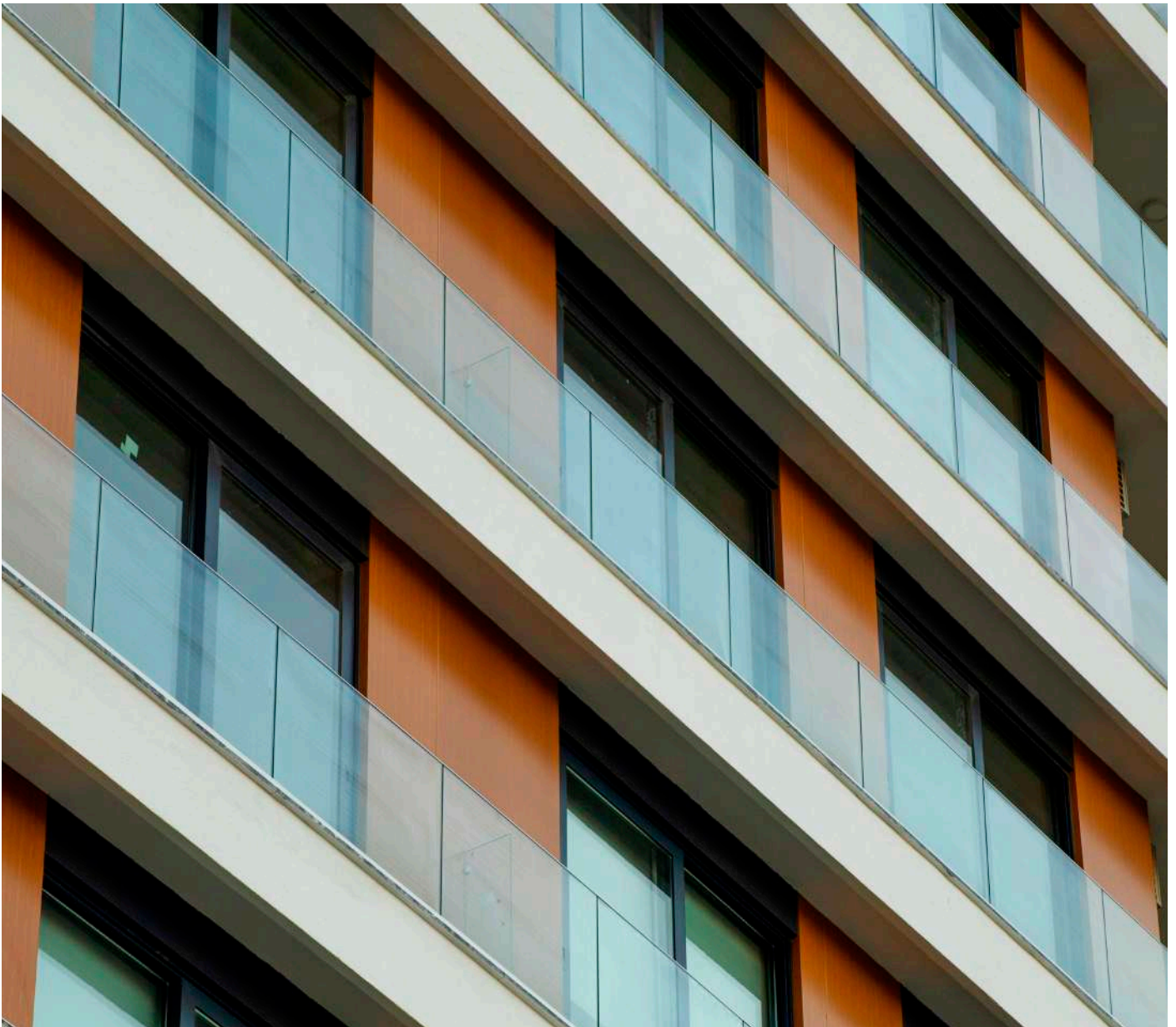
500-305
90° Inner Corner For
2979



500-306
45° Outer Corner For
2979



500-307
45° Inner Corner
For 2979







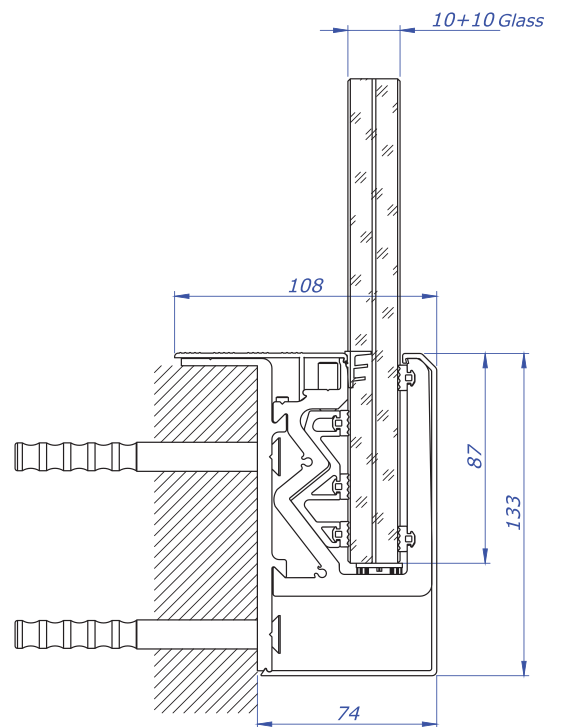
A31

SERIES



Alusmart A31 System is different than other systems with the outer cover can be installed from inside before mounting the glasses and no extra operation required.

- High resistance to deformation provides high safety to the system.
- Glass compression device is aluminium with planar surface.
- Allows installation of glass up 8+8mm tp 10+10mm laminated glass.
- Space-saving minimalist design.





A31 SERIES



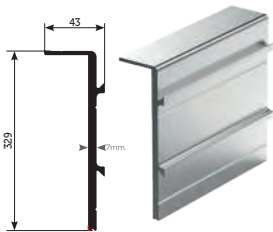
500-311
Glass Base Set-15 Cm



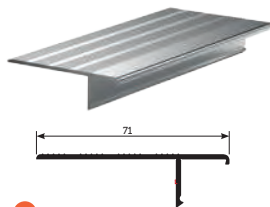
500-312
Glass Base Set-30 Cm



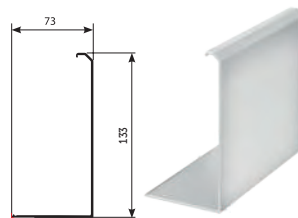
500-313
Endcaps



2977
Base Carrier Profile
(6 meters)



2983
Top Cover Profile
(6 meters)



6147
Front Cover Profile
(6 meters)



500-001
Rubber



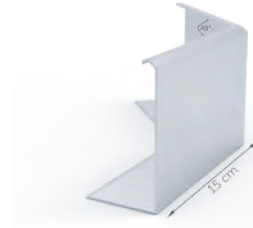
A31 SERIES



500-314
90° Outer Corner For
6147



500-315
90° Inner Corner For
6147



500-316
45° Outer Corner For
6147



500-317
45° Inner Corner
For 6147

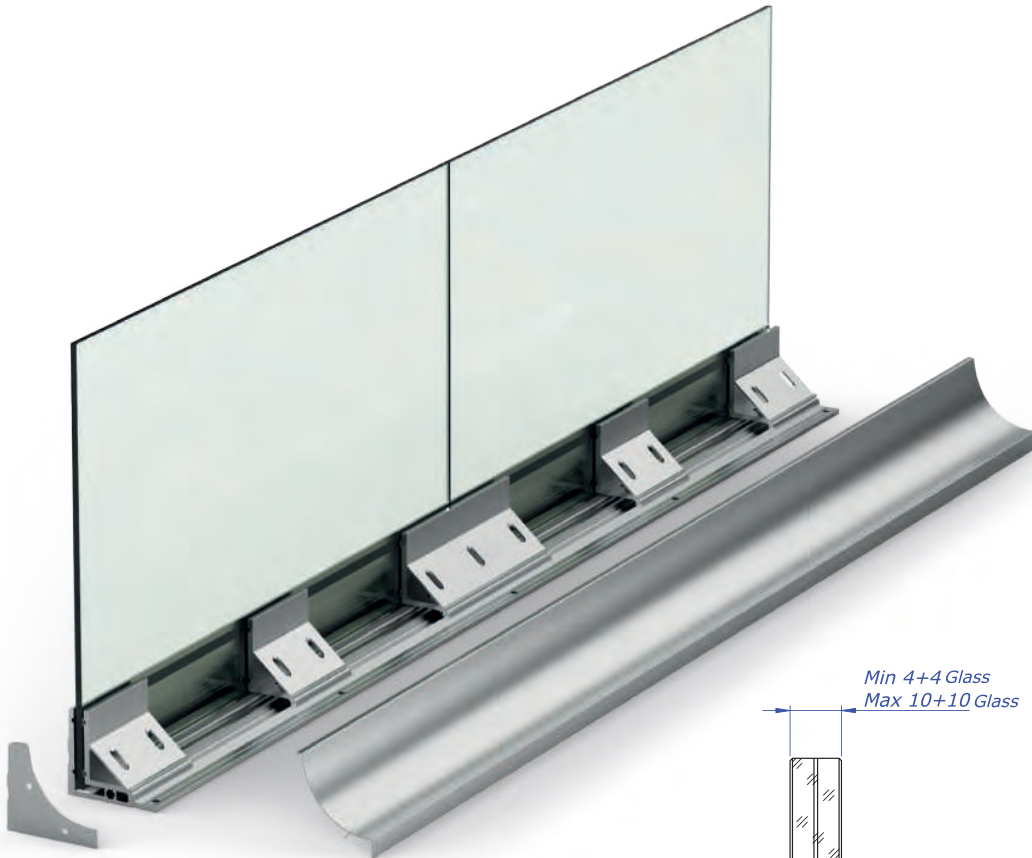






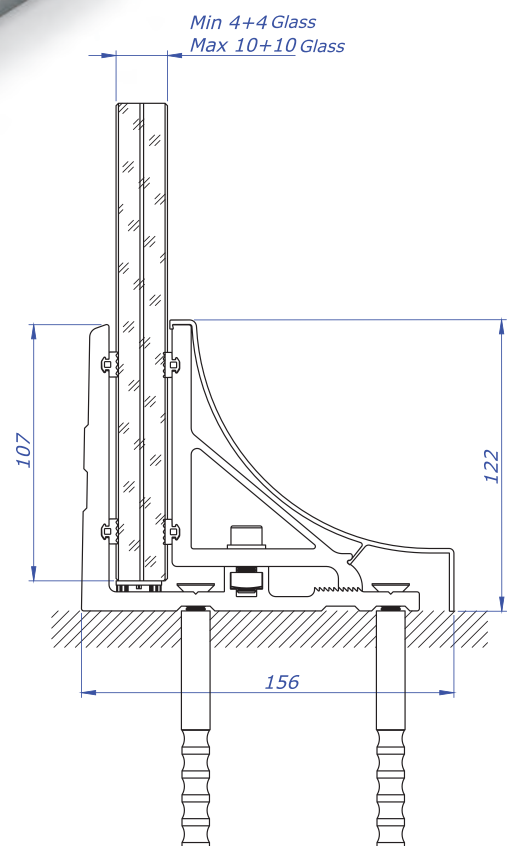
A40

SERIES



Alusmart A40 System is highly recommended for stadiums, auditoriums, theatres, terraces, hotel roofs, schools and more... with its C3-C4 Classification.

- Allows installation of glass up to 20mm.
- Thanks to its curved inner cover profile, it prevents children from reaching the carrier.
- High structural strength, profile design provides maximum security.
- Easy installation saves workmanship and time.
- Because of the glass compression device is made planar and aluminium profile, it does not deform in use for many years and provides high inertia to the system.
- Space-saving minimalist design



A40 Qualified to get C3-C4 Classification!

Areas where people may congregate and are susceptible to overcrowding.

According to international norms A40 Serie can be used on: theatres, stadiums, cinemas, discotheques, auditoriums, assemble areas and bars and the like.



A40

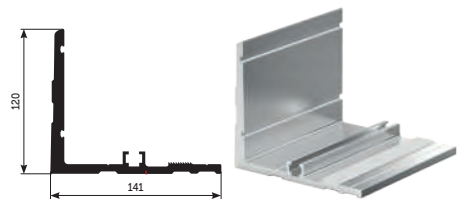
SERIES



500-401
Glass Base Set-15 Cm



500-402
Glass Base Set-30 Cm



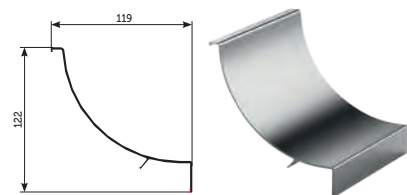
2990
Side Base Profile (6 meters)



500-403
Endcaps

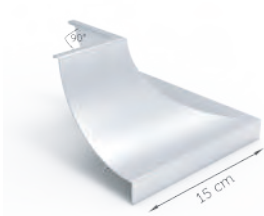


500-002
Rubber



2988
Cover Profile (6 meters)

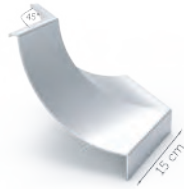
A40 SERIES



500-404
90° Outer Corner For
2988



500-405
90° Inner Corner For
2988



500-406
45° Outer Corner For
2988



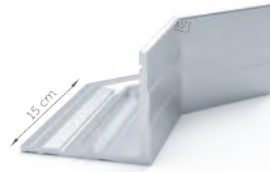
500-407
45° Inner Corner
For 2988



500-408
90° Outer Corner For
2990



500-409
90° Inner Corner For
2990

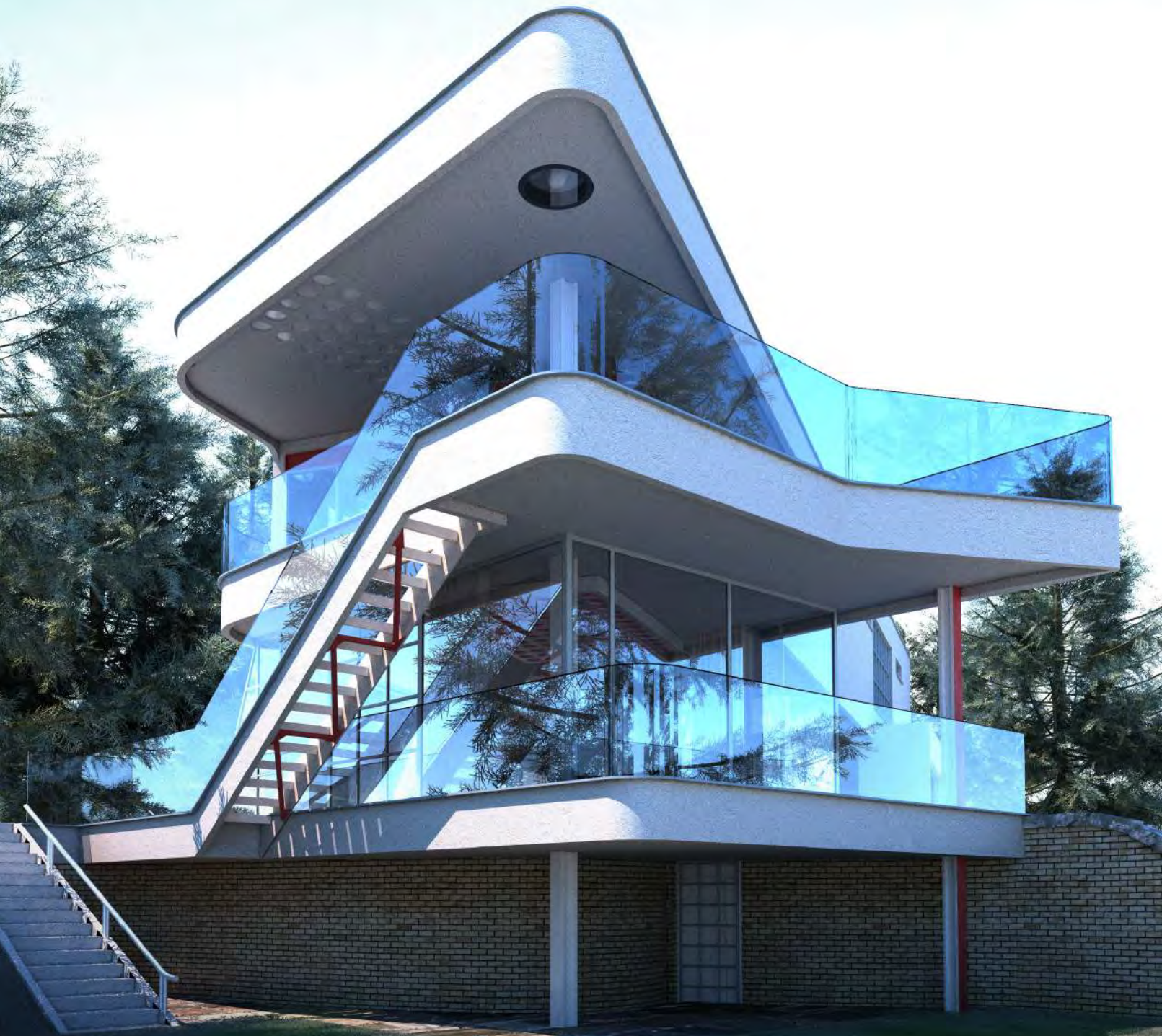


500-410
45° Outer Corner For
2990



500-411
45° Inner Corner
For 2990





Alusmart A50 System developed by our engineers to offer you different installation options such as :

- Partial and full set use according to the project.
- Favorite for projects which need options and high quality.
- High quality with High resistance.
- Offers to install 6+6mm and 8+8mm laminated glass with compression apparatus.

Option 1

In this application, we have to combine: 6105 as 6-meter whole profile then we need 6148 as 6-meter whole profile. 6148 will be polished and anodized. (2 pieces 6148 for 1 piece 6105) Inside of the system, there will be 500-012 according to your glass dimensions due to tighten and secure the glass.

Option 2

In this application, we have to combine: 6105 as 6-meter whole profile and 6107 as 6-meter whole profile. Both 6105 and 6107 will be polished and anodized. (2 pieces 6107 for 1 piece 6105) For Inside of the system, there will be 500-012 according to your glass dimensions due to tighten and secure the glass. If your Project is not Wall to Wall, also 500-503 will include as an endcap.

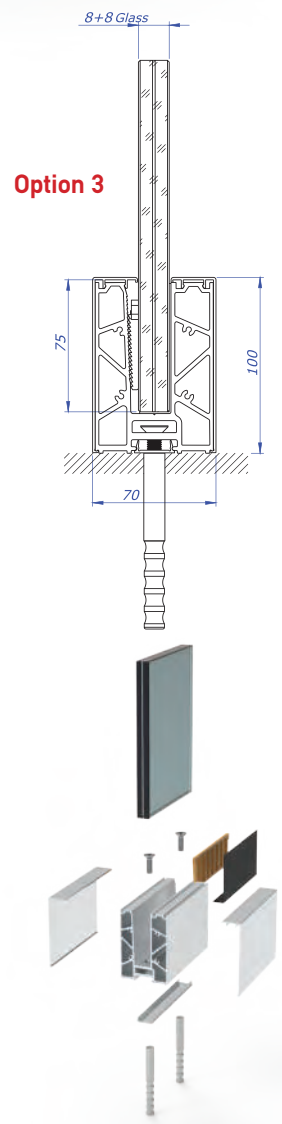
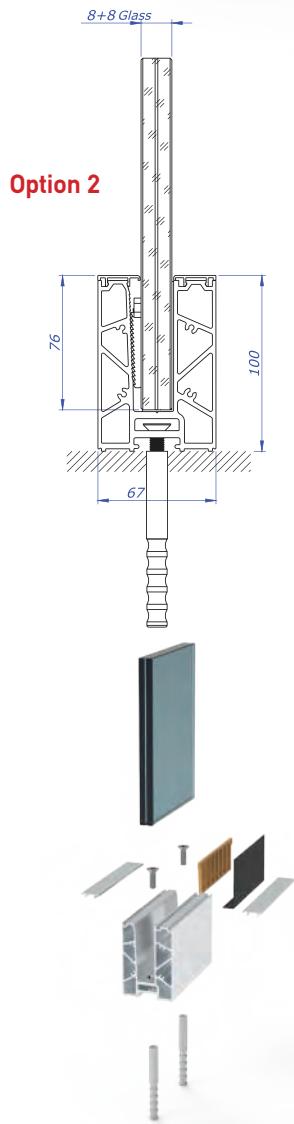
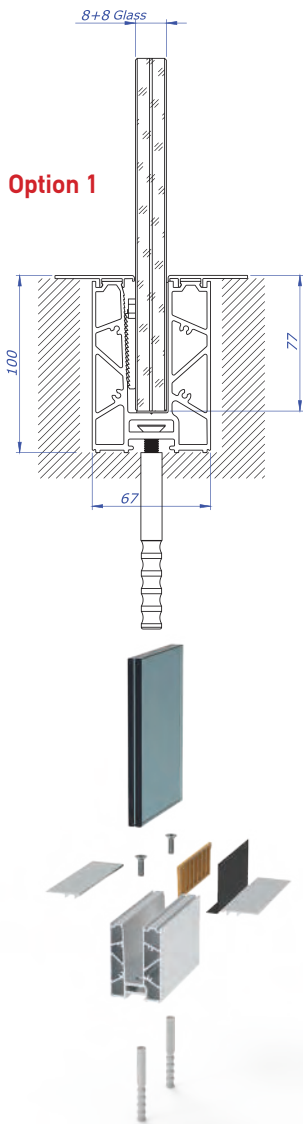
Option 3

In this application, we have to combine: 2911 as 6-meter whole profile due to aligning the system. 500-101 and 500-102 according to your glass and Project dimensions. (500-101 and 500-102 has plastic compression sets inside) On the last step, 6106 as 6-meter whole profile due to cover profile. This product will be polished and anodized. Also, If your Project is not Wall to Wall, you will need 500-503 as an endcap.



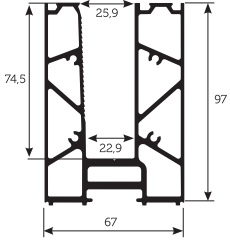
A50

SERIES





A50 SERIES



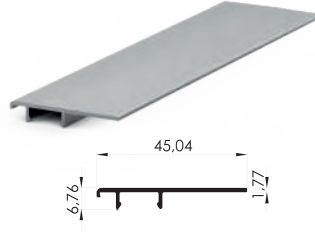
6105

Glass Base Profile
(6 meters)



6107

Top Cover Profile
(6 meters)



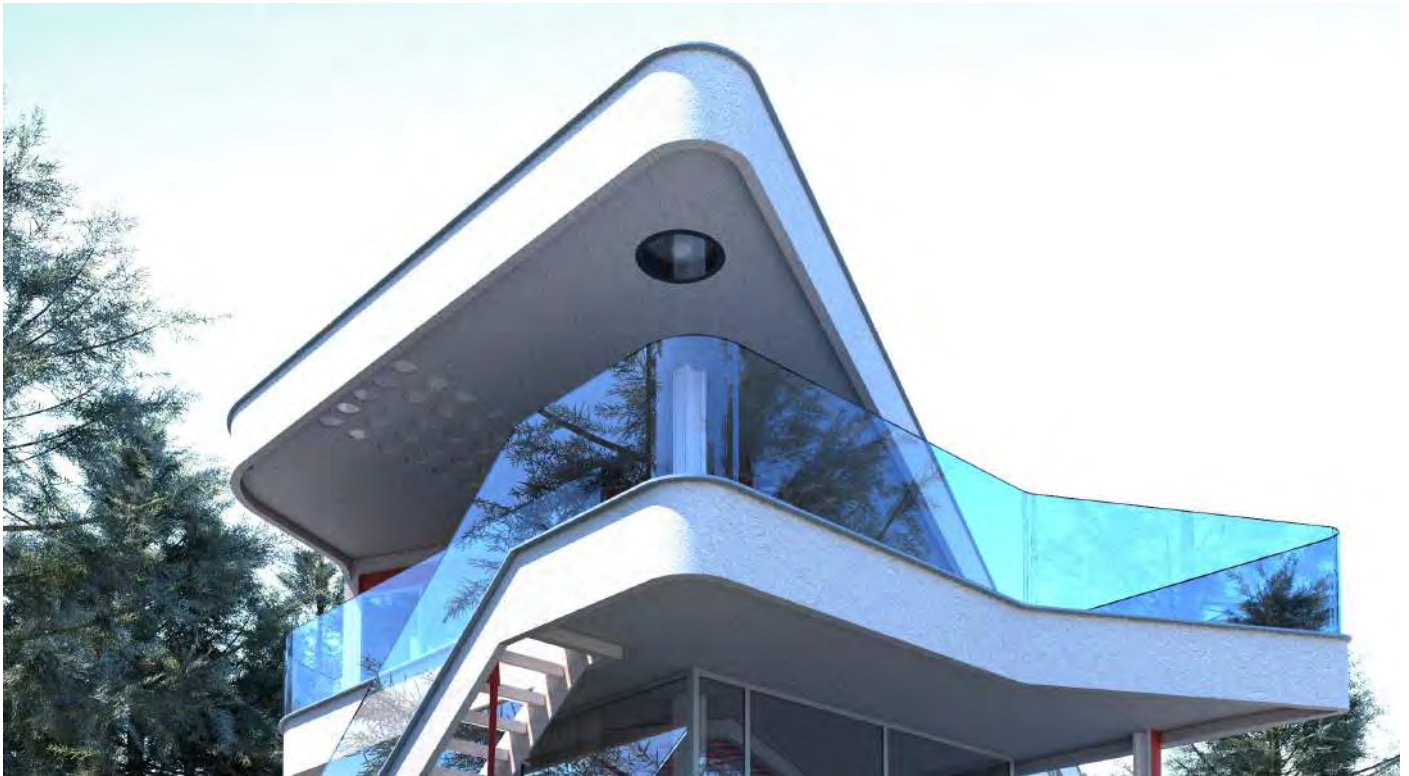
6148

Top Cover Profile
(6 meters)



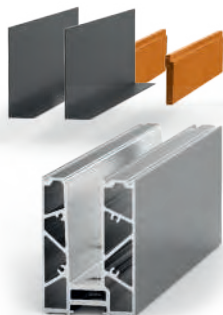
500-012

Plastic Compression
Set



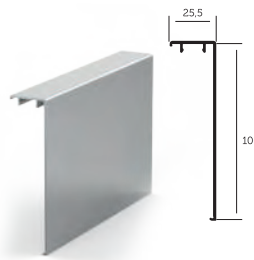
500-501

Glass Base Set-15 Cm



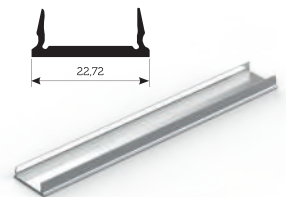
500-502

Glass Base Set-30 Cm



6106

Cover Profile
(6 meters)



2911

Align Profile
(6 meters)



A50 SERIES



500-503
Endcaps



500-504
90° Outer Corner For
6106



500-505
90° Inner Corner For
6106



500-506
45° Outer Corner For
6106



500-507
45° Inner Corner
For 6106



500-508
90° Inner Corner For
6105



500-509
90° Outer Corner For
6105



500-510
45° Inner Corner For
6105



500-511
45° Outer Corner
For 6105



500-028
Plastic Compression
Apparatus For 6+6 mm Glass



500-001
Rubber



500-016
8 Metric Anchor



500-018
Inox Bolt M8x25





A51

SERIES



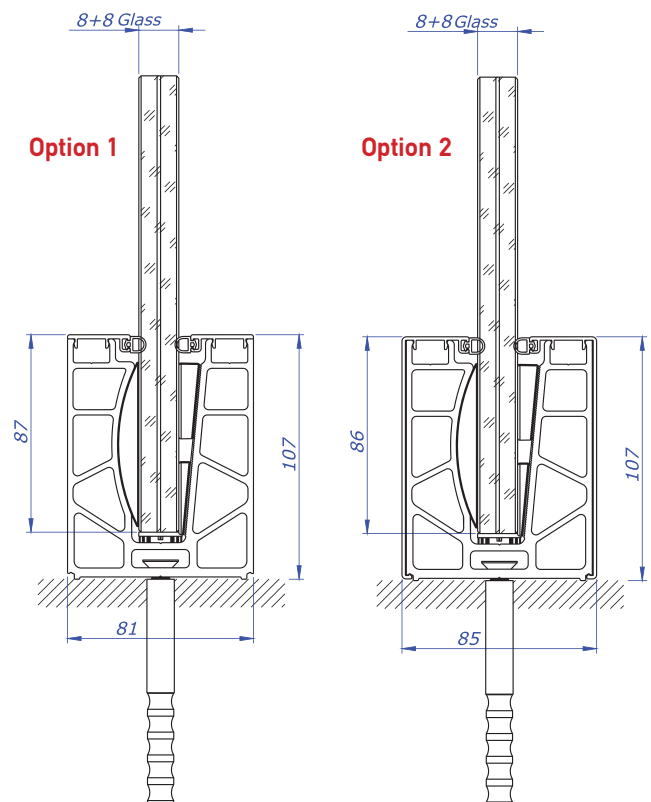
Everyone who uses Akos products are more or less familiar with the operation logic of our Alusmart A11 system. The A51, which we developed this year, combined the operation logic of A11 with the usage of 6 meters of profile. It is possible to balance the glass to be used in the project with A51 on problematic surfaces that need to be adjusted to the glass.

With its unique plastic structure inside, allows us to align the glass approximately 3° on both sides. Also 6 meter whole profile usage makes the montage process even easier. As a standard, the A52 system has been developed for 8 + 8 laminated glass, which is commonly used in European Countries. It offers maximum robustness and maximum safety in such uses.

Also with the unique plastic thickening apparatus, A51 system is suitable with 6+6 laminated glasses as well. It is also possible to use this system in pieces with the cover profile to be used outside. In this way, there will be a decrease in costs. Even so, the system offers greater strength than its competitor's thanks to its thick profile structure.

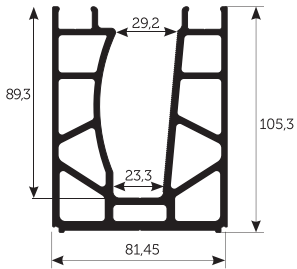
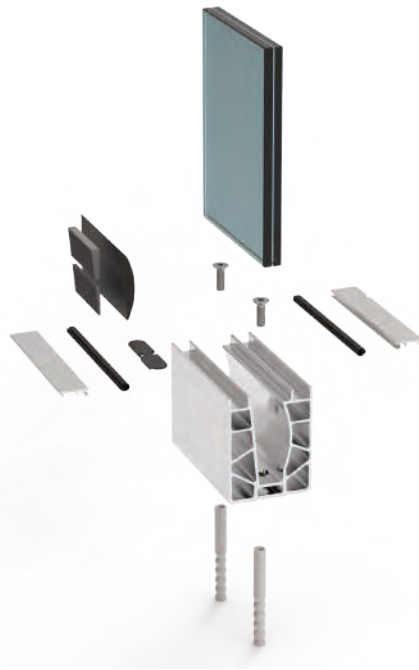
The A52 system will be the best solution for anyone who is solution-oriented and cares about time.

While the A52 system provides maximum durability with minimum labor, it is also a system that can be used in any project thanks to the glass adjustment.

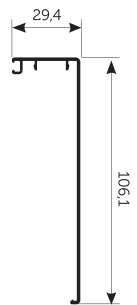




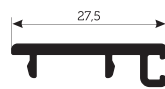
A51 SERIES



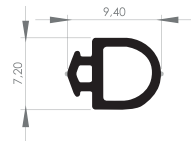
6110
Glass Base Profile
(6 meters)



6111
Cover Profile (6 meters)



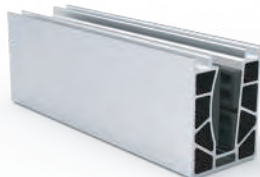
6112
Top Cover Profile (6 meters)



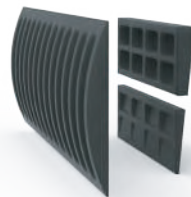
500-116
Rubber



500-551
Glass Base Set-15 Cm



500-552
Glass Base Set-30 Cm



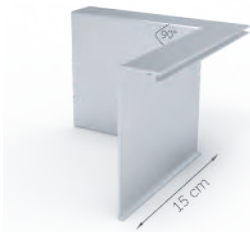
500-553
Plastic Compression Set



500-554
Endcaps



A51 SERIES



500-555
90° Outer Corner For
6111



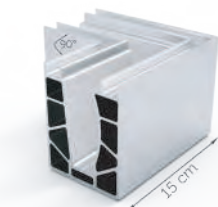
500-556
90° Inner Corner For
6111



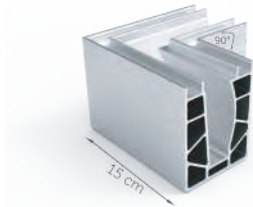
500-557
45° Outer Corner For
6111



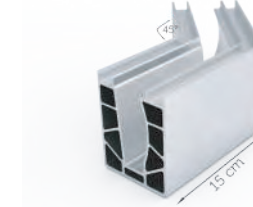
500-558
45° Inner Corner
For 6111



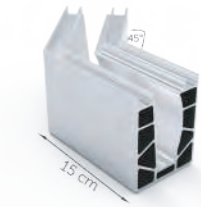
500-559
90° Inner Corner For
6110



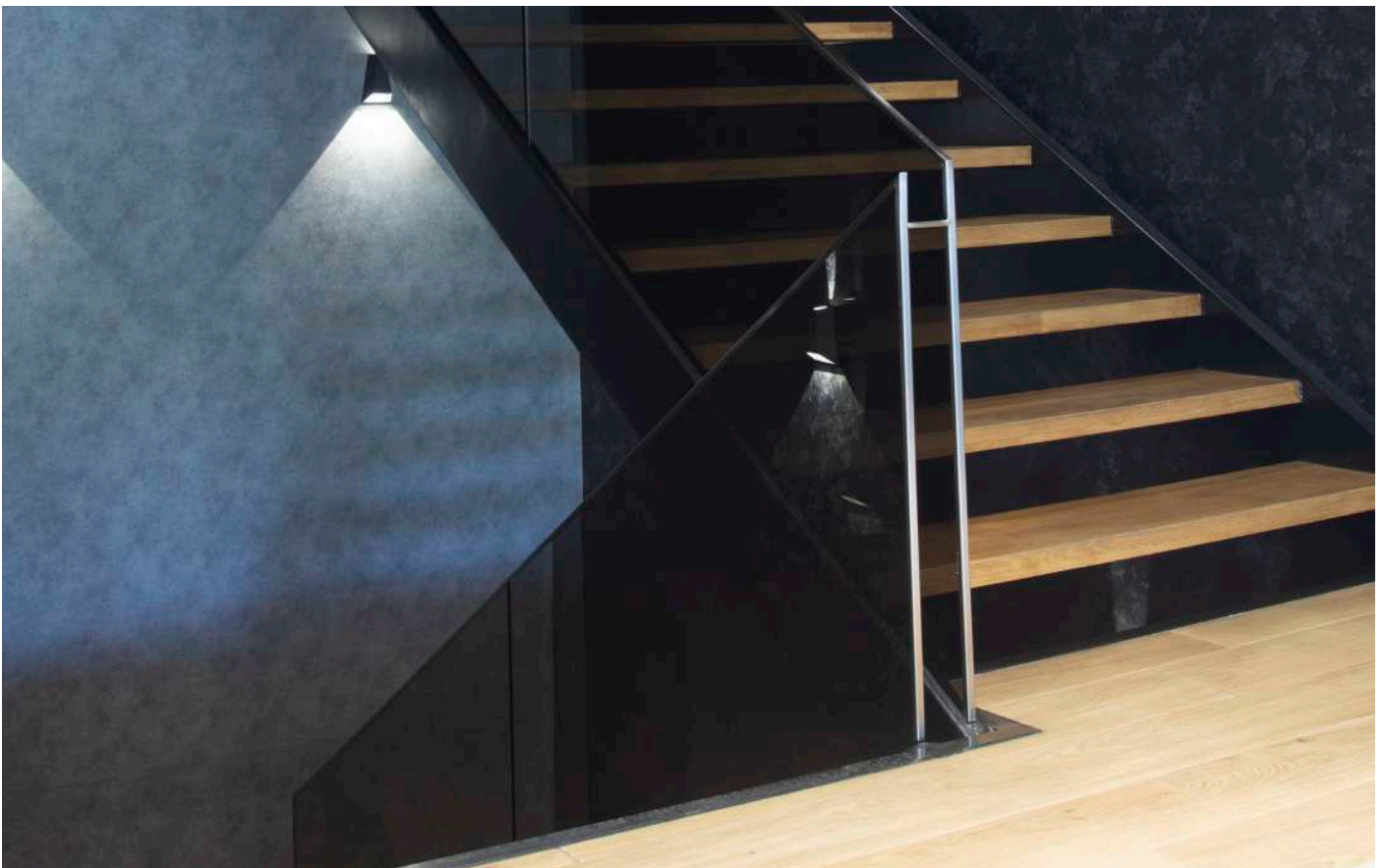
500-560
90° Outer Corner For
6110



500-561
45° Inner Corner For
6110



500-562
45° Outer Corner
For 6110

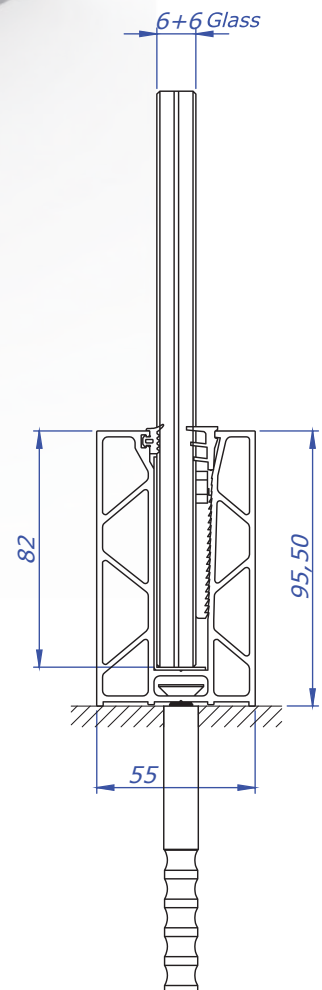






A52

SERIES



Brand new A52 provides to use 6 meter whole profile system with 6+6 laminated glasses. Also with the unique plastic thickening apparatus, A52 suitable with 5+5 laminated glasses as well. In this way, project owners will save on both glass costs and glass supporter costs.

Thanks to its small but maximum durability profile structure, A52 is the most robust glass supporter system with minimum costs. Another advantage of our A52 system is that it takes up less space from the space on the balconies thanks to its tiny structure. In this way, it also offers the best solution for small balconies.

As a result, A52 will offer the most suitable solution for all project owners who want to achieve maximum benefits with minimum costs.

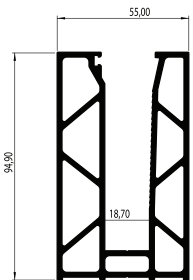


A52 SERIES



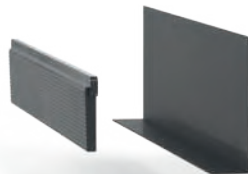
Alusmart A52 System is the best solution for everyone who is solution oriented and want to achieve maximum benefits with minimum cost.

- Allows the use of the entire 6-meter profile system with 6+6mm laminated glasses
- Provides maximum durability with minimum cost
- System is suitable to any project with its glass adjustment



4044

A52 Glass Base Profile - 6 Meters



500-012

Plastic Compression Set



500-028

Plastic Compression Apparatus For 10 mm Glass

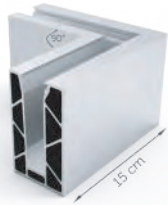


500-525

Endcaps



A52 SERIES



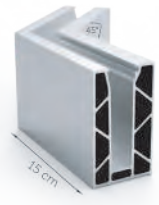
500-521
90° Inner Corner For
4044



500-522
90° Outer Corner
For 4044



500-523
45° Inner Corner For 4044



500-524
45° Outer Corner
For 4044



500-792
Rubber



500-001
Rubber



500-016
8 Metric Anchor

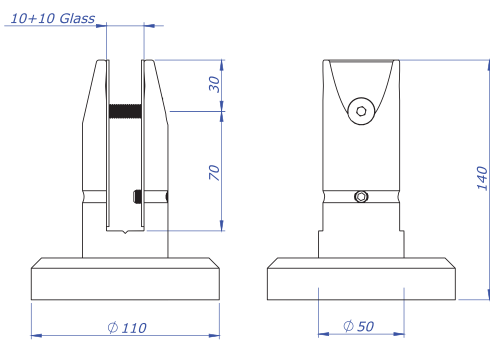


500-018
Inox Bolt M8x25

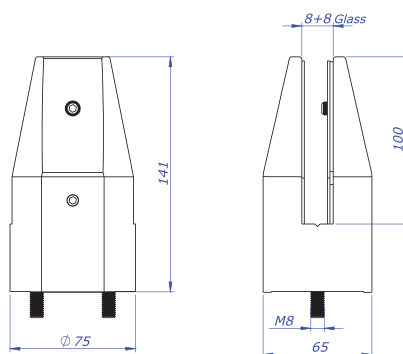




A60 SERIES



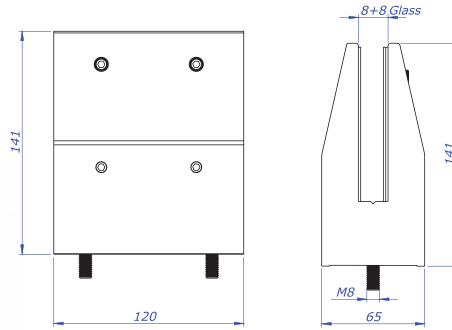
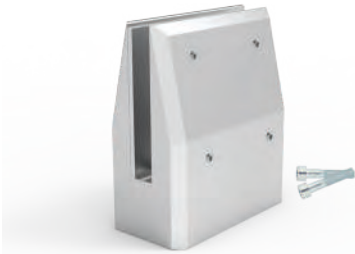
500-601
Round Glass Holder



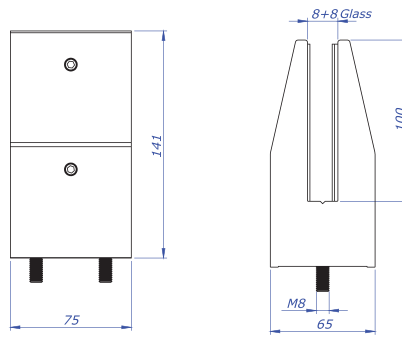
500-603
Elliptical Glass Holder



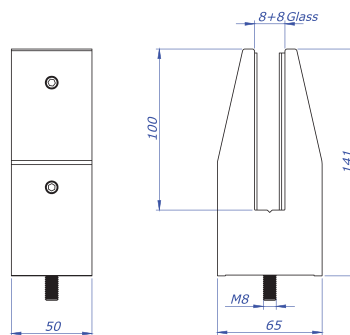
A60 SERIES



500-604 Block Type Glass Holder (12cm)



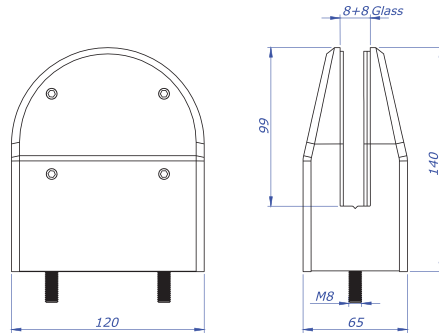
500-606 Block Type Glass Holder (7,5 cm)



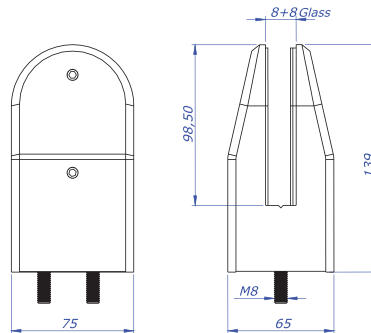
500-607 Block Type Glass Holder (5 cm)



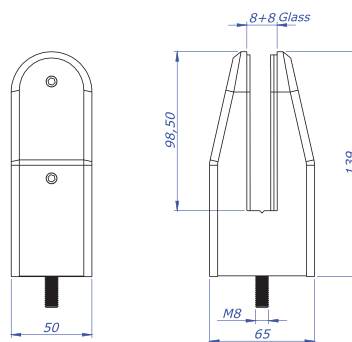
A60
SERIES



500-614
Oval Top Glass Holder - 12 cm



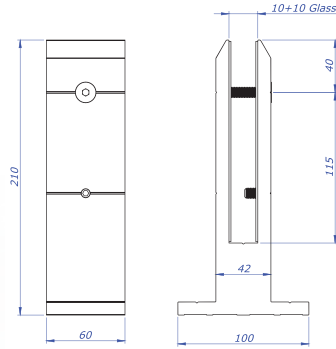
500-615
Oval Top Glass Holder - 7,5 cm



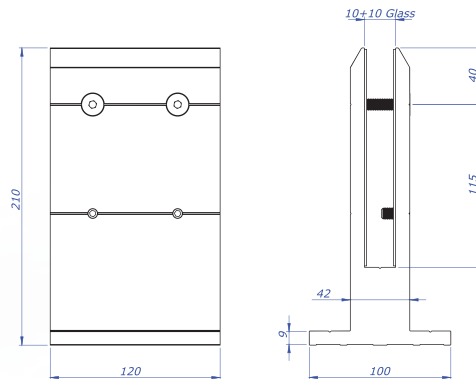
500-616
Oval Top Glass Holder - 5 cm



A60 SERIES



500-602
Square Glass Holder



500-618
Square Glass
Holder 12 cm

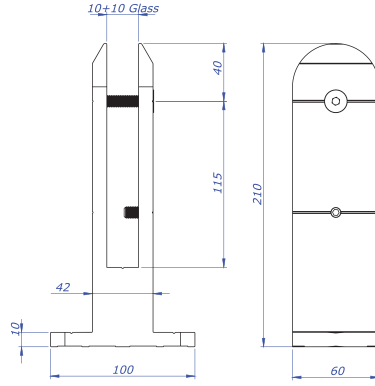


500-608
Square Glass Holder
Cover (For 500-602)

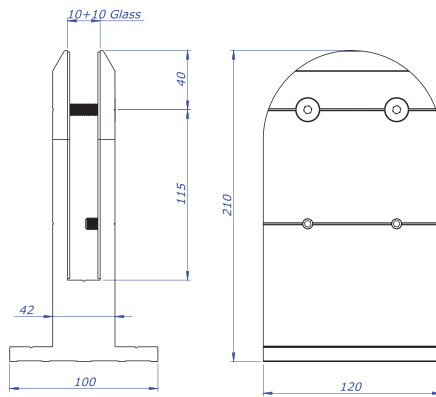




A60 SERIES



500-609
Glass Holder with Radius



500-617
Glass Holder with
Radius 12 cm



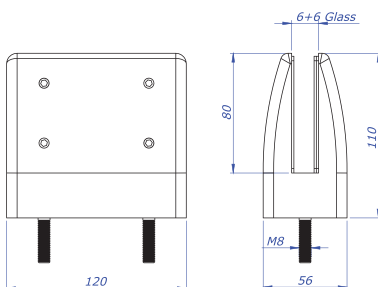
500-619
Round Glass Holder
(For 500-609)



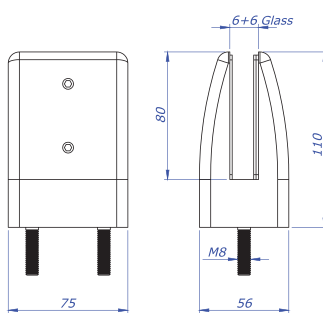
A60 SERIES



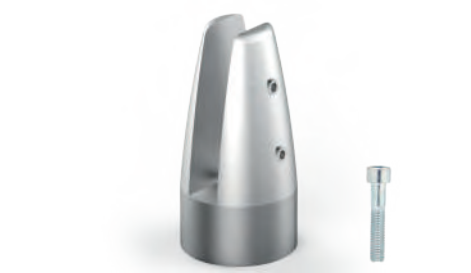
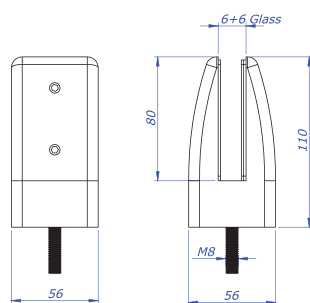
500-630
Block Type Glass Holder-12 cm



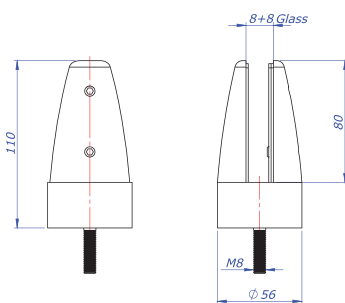
500-631
Block Type Glass Holder - 7,5 cm



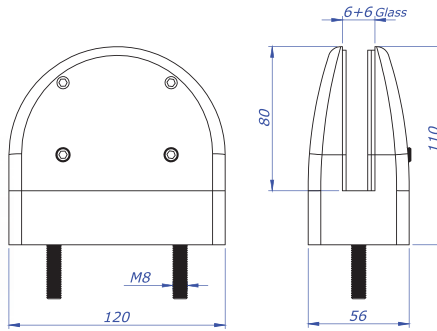
500-632
Block Type Glass Holder - 5,6 cm



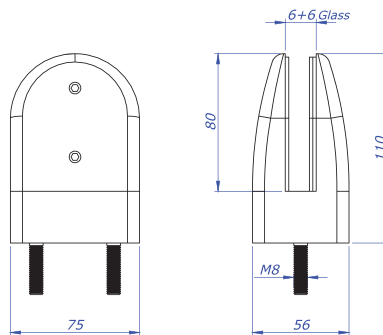
500-605
Small Glass Holder



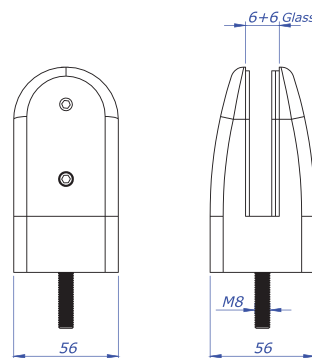
A60
SERIES



500-633
Block Type Glass Holder - 12 cm



500-634
Block Type Glass Holder - 7,5 cm

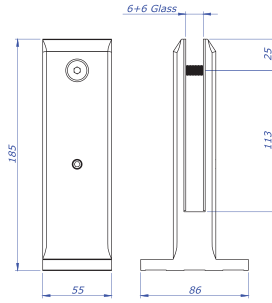


500-635
Block Type Glass Holder - 5,6 cm



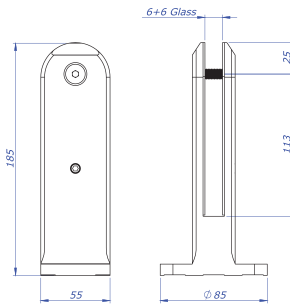


A60 SERIES



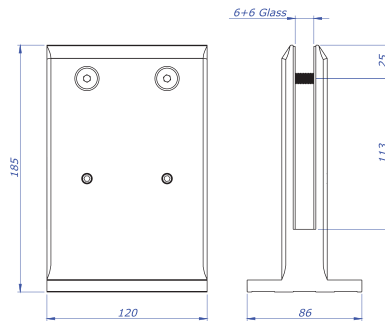
500-636

Minor Square Glass Holder - 5,50 cm



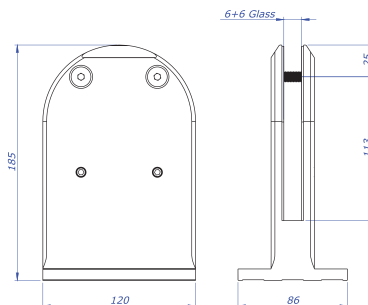
500-637

Minor Square Glass Holder - 12 cm



500-638

Minor Glass Holder with Radius - 5,50 cm



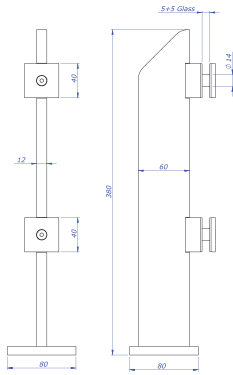
500-639

Minor Glass Holder with Radius - 12 cm

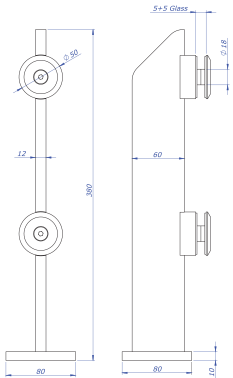




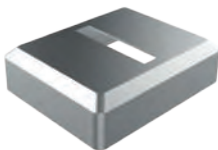
A60 SERIES



500-610
Double Glass Connector
With Lama Pilar - Square



500-611
Double Glass Connector
With Lama Pillar - Round



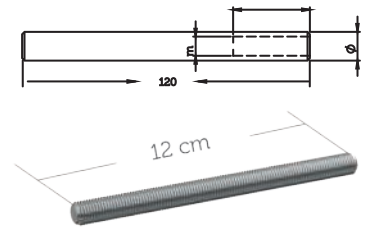
450-302
Cover For Single Lama



500-015
8 Metric Anchor



500-018
Inox Bolt M8x25



500-027
12 cm 8 Metric Bolt

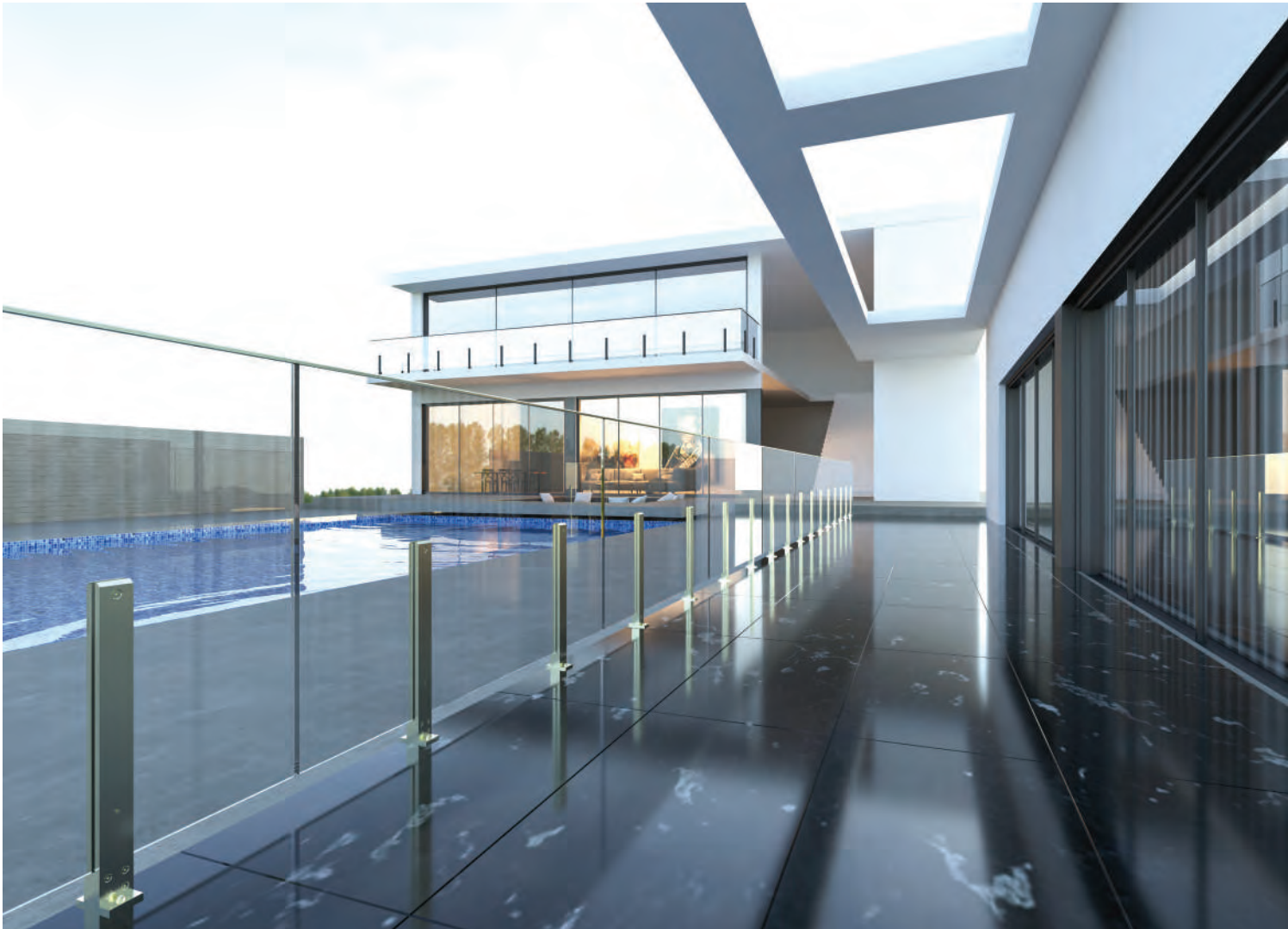


A60

SERIES



500-650
Extended Square Glass Holder - 6 cm





A60 SERIES

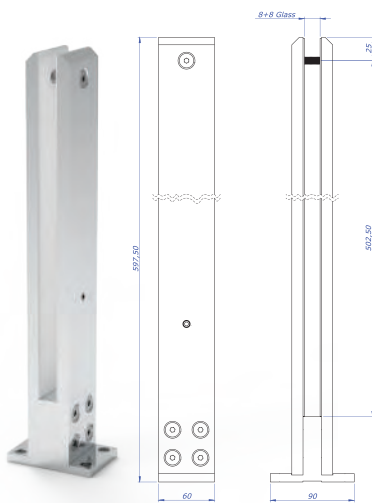


500-660
Platinum Serie Glass Holder



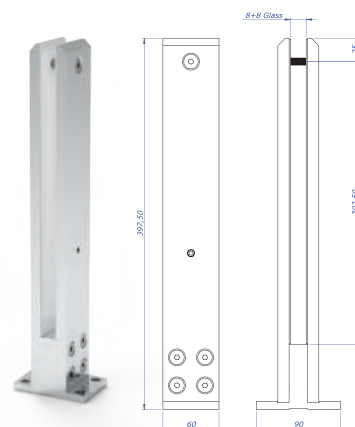


A60 SERIES



500-650

Extended Square Glass Holder - 6 cm
(Height 60 cm)

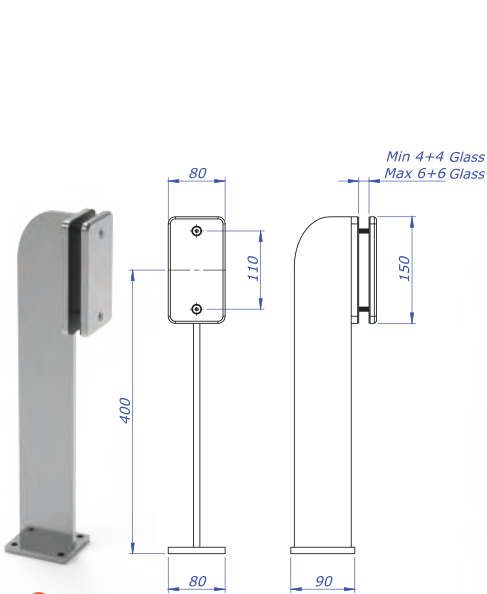
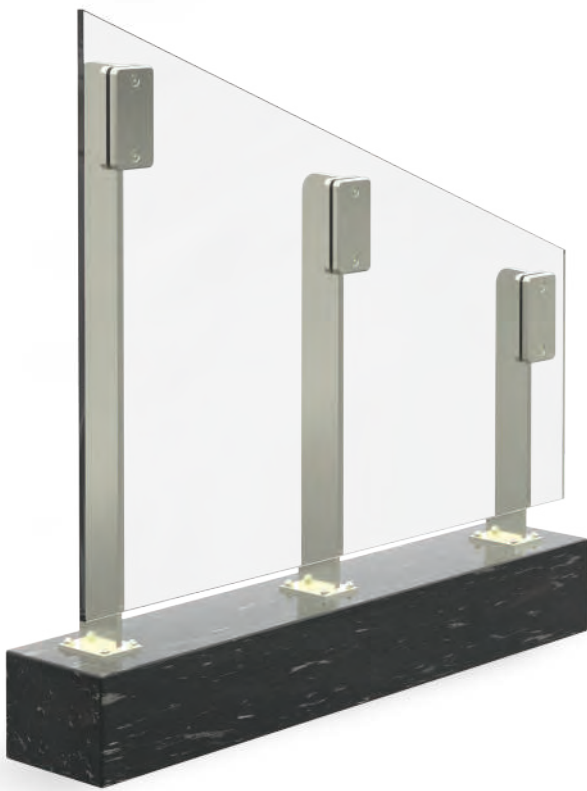


500-651

Extended Square Glass Holder - 6 cm
(Height 40 cm)

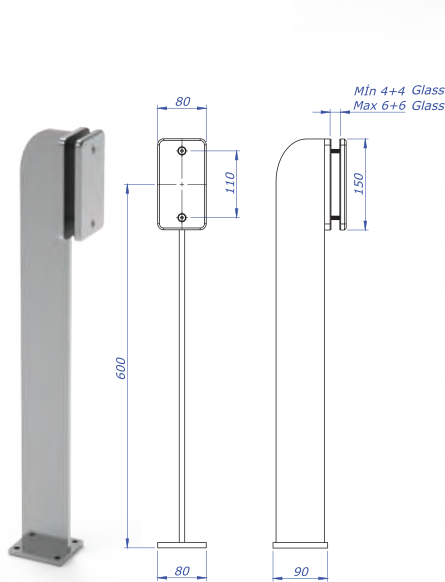


A60 SERIES



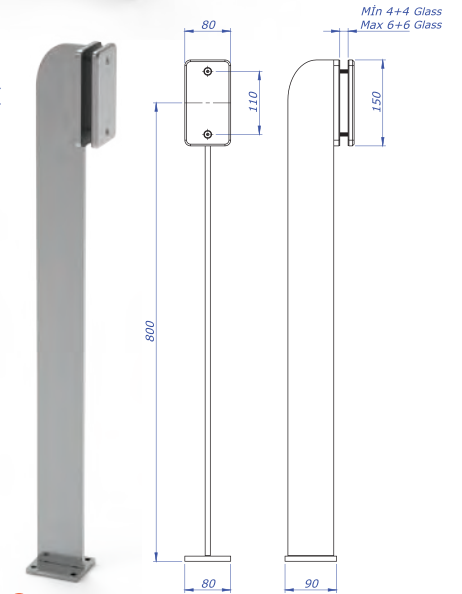
500-660

Platinum Serie Glass Holder
(Height 40 cm)



500-661

Platinum Serie Glass Holder
(Height 60 cm)



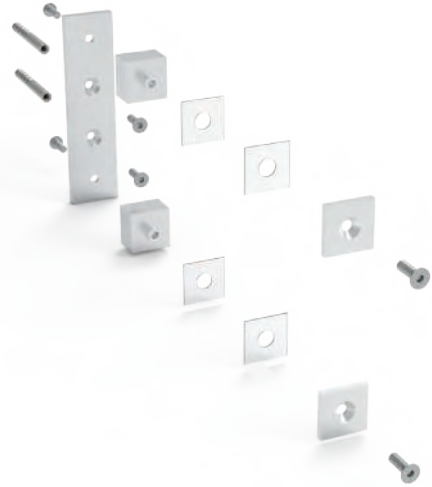
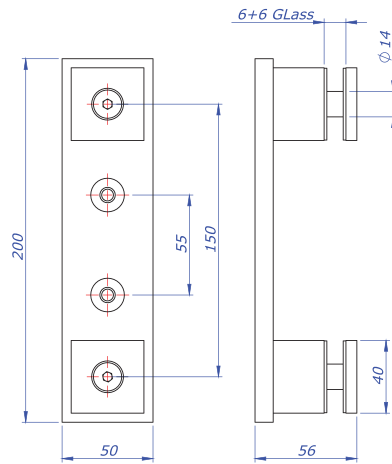
500-662

Platinum Serie Glass Holder
(Height 80 cm)

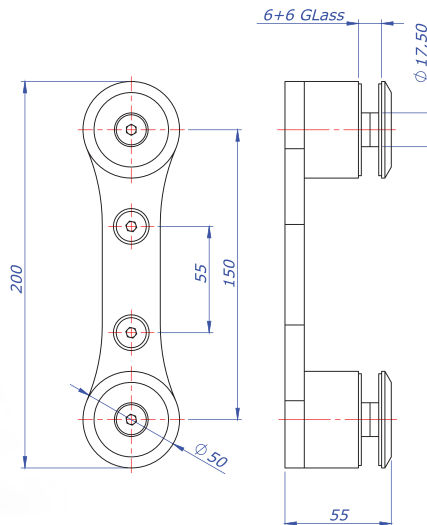




A60 SERIES



500-612
Double Glass Connection
Socket - Square



500-613
Double Glass Connection
Socket - Round

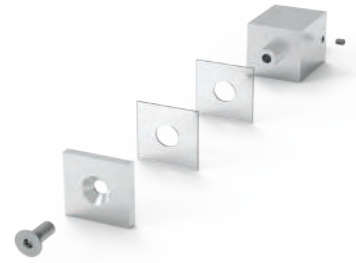
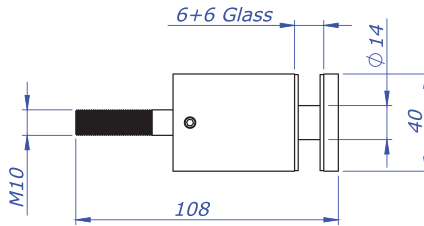




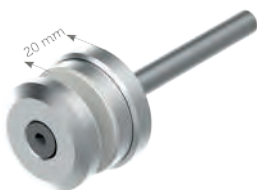
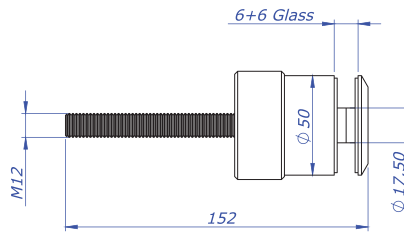
A60 SERIES



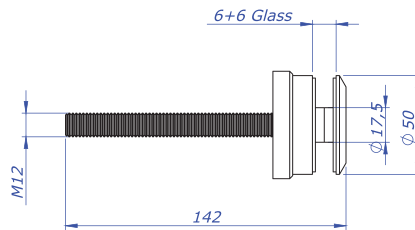
500-620
40 X 40 Glass To Wall
Connector



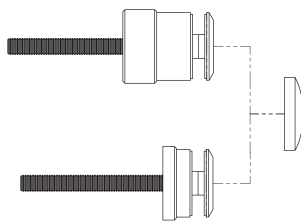
100-912
Glass Side Connector (Ø50)

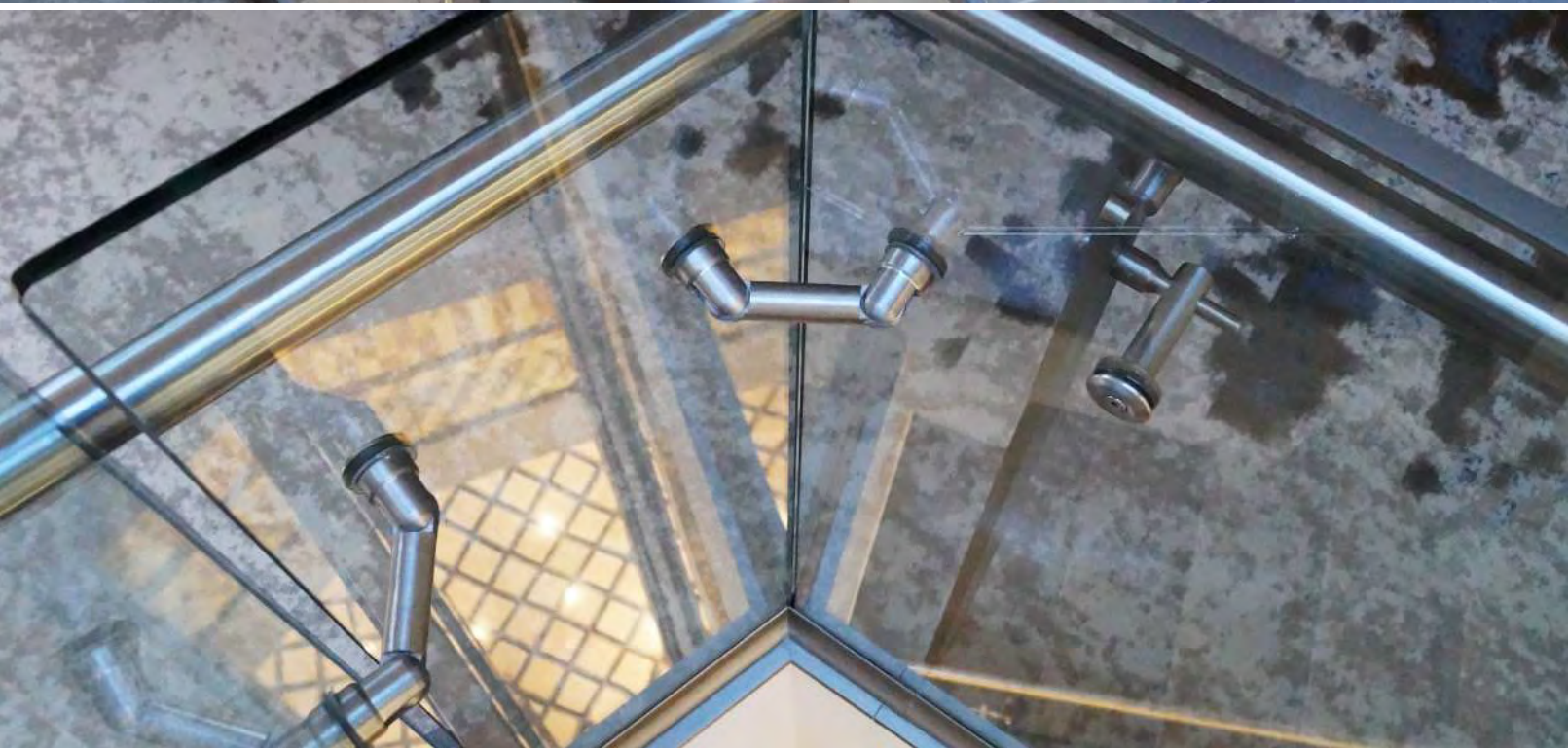
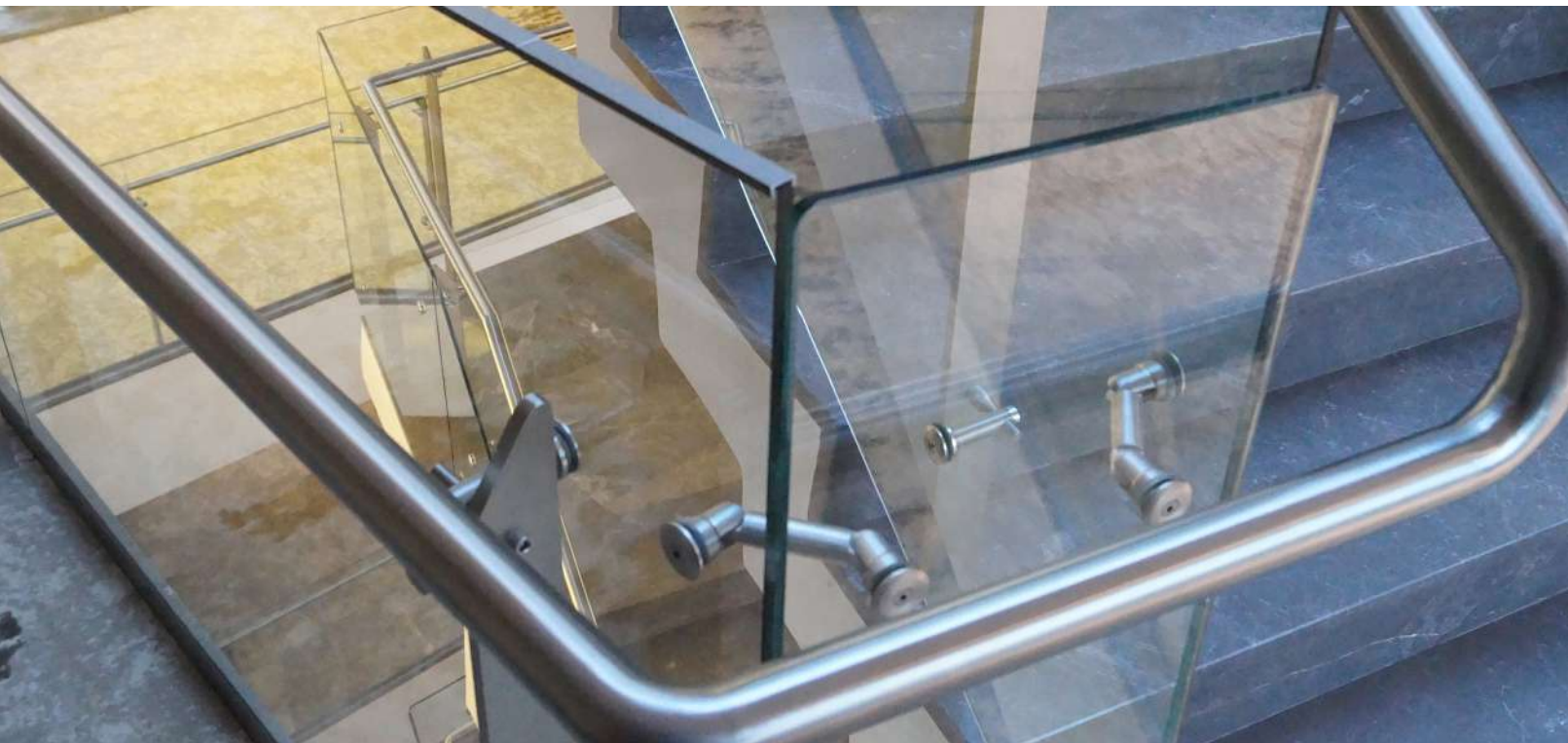


100-921
Small Glass To Wall
Connector (Q50)

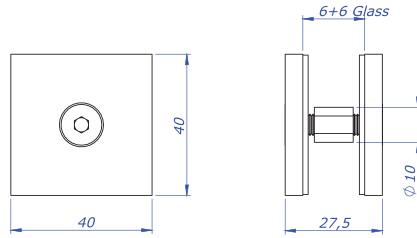


100-922
Glass To Wall Connector
Cover (Ø50)

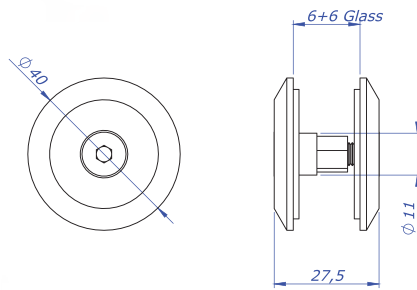
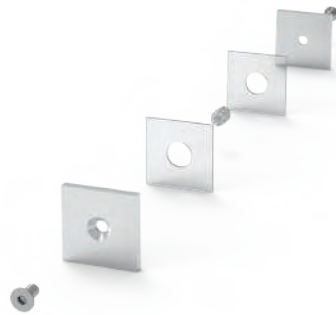




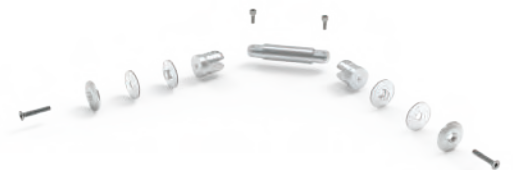
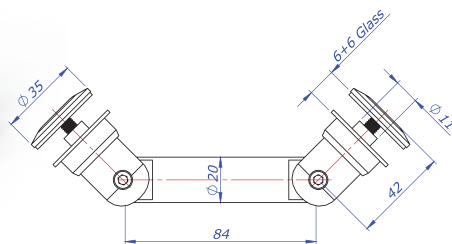
A60 SERIES



500-621
Glass Aligner (Square)



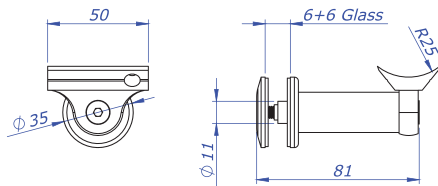
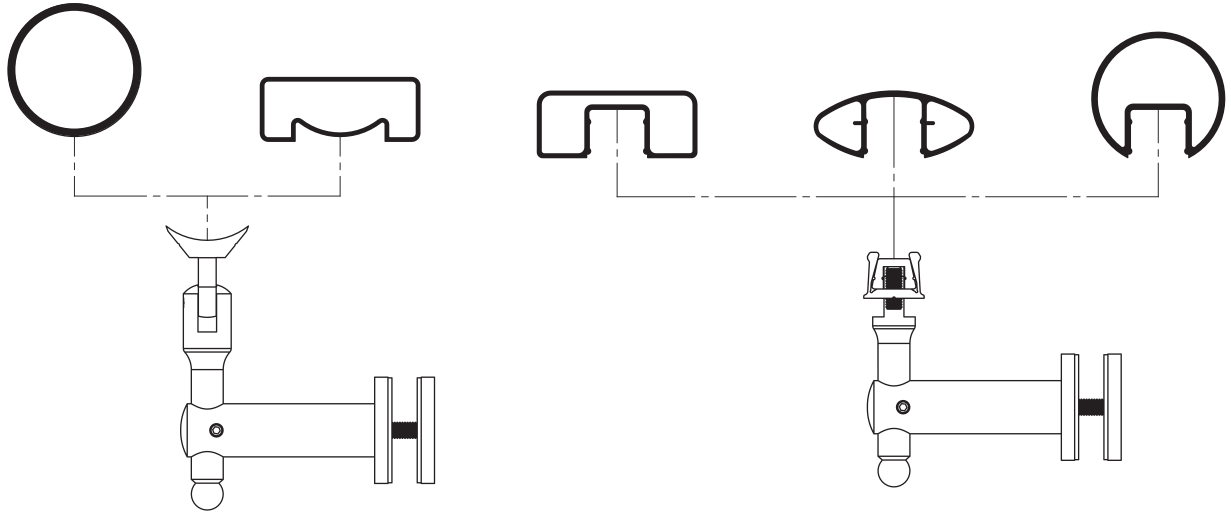
500-622
Glass Aligner (Round)



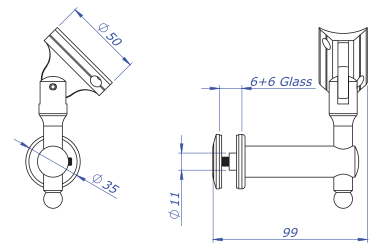
500-623
Double Glass Interconnection
Spider



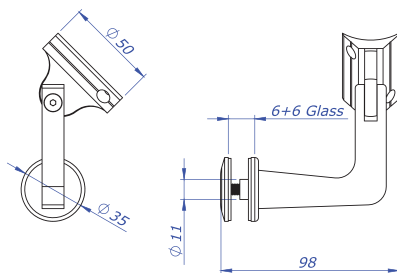
A60
SERIES



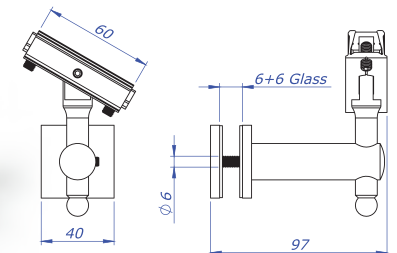
100-910
Glass Side Connector-(Ø50)



100-911
Glass "L" Side Connector-(Ø50)



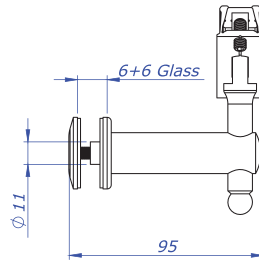
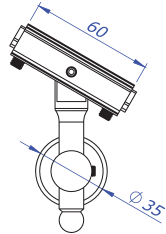
100-913
Glass "L" Side Connector-(Ø50)



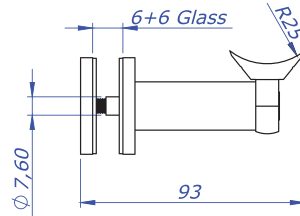
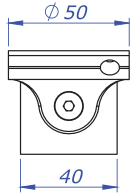
100-914
Square Glass "L" Side Connector



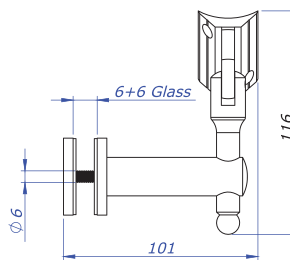
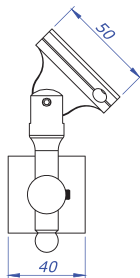
A60 SERIES



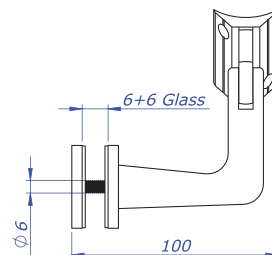
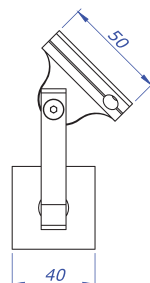
100-915
Glass "L" Side Connector-(Ø50)



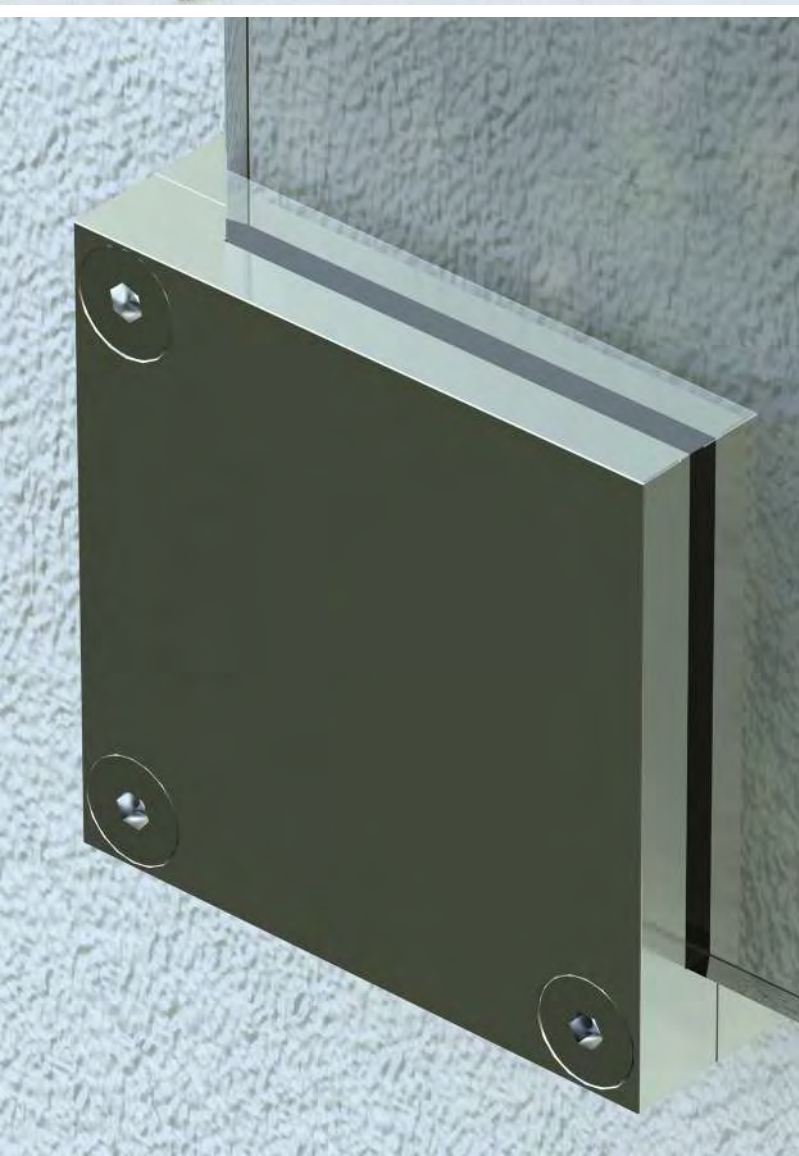
100-918
Square Glass Side Connector-(Ø50)



100-919
Square Glass "L" Side Connector-(Ø50)



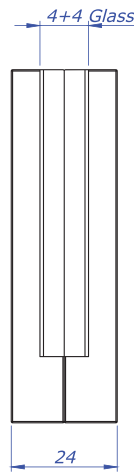
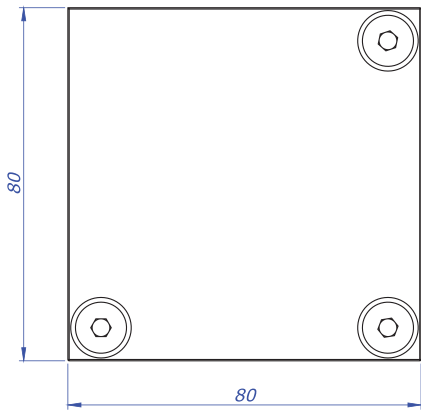
100-920
Square Glass "L" Side Connector-(Ø50)





A66

SERIES



Alusmart A66 offers a new design French Balcony Glass Holder with easy mounting and high safety

- Easy montage
- Strong and Durable Product Quality
- 4 mm. + 4mm. = 8mm. Glass Thickness
- Aesthetic and Minimalist Details
- Affordable Cost



500-640
A66 Glass Holder



500-016
8 Metric Anchor



500-018
Inox Bolt M8x25



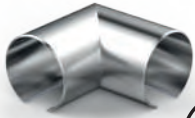
*A stylish solution
for complex situations.*





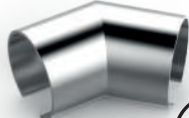
ALUSMART

SERIES



150-506

50' Bend With Glass
Channel 90°



150-508

50' Bend With Glass
Channel 45°



150-302

50' Ground Flange
Externally Screwed



150-303

50' Wall Flange
(Double Hole)



150-304

50' Ground Flange
Cover



150-305

50' Adjustable Wall
Flange



150-501

50' Smart Sphere
Elbow



150-502

50' Smart Sphere Elbow
(ECO)



150-503

50' Inflate Bend 90°



150-504

50' Inflate Bend 45°



150-601

50' Smart Pipe
Connector



150-603

50' Ring (3 cm)



150-518

50' Inward Bend With
Glass Channel 90°



150-519

50' Inward Bend With
Glass Channel 45°



150-701

50' Plug

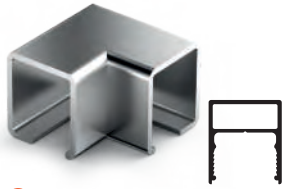


150-704

50' Plug With Channel



ALUSMART SERIES



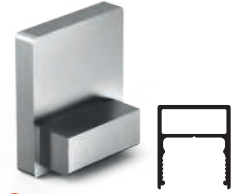
230-502
26X30 mm In Side Corner
For Glass 90°



230-503
26X30 mm Out Side
Corner For Glass 45°



230-301
26X30 mm Wall Flange



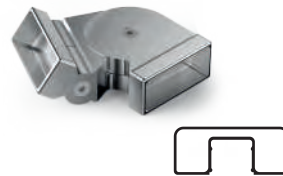
230-701
26X30 mm Square
Plug



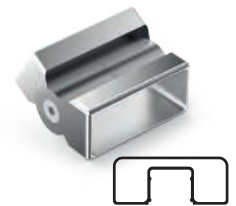
260-305
60X25 mm Wall Flange



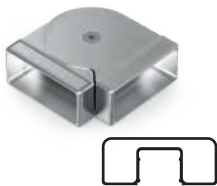
260-501
60X25 mm Square Elbow
With Horizontal Moving



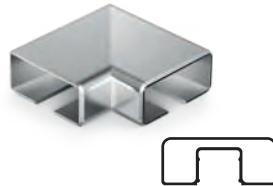
260-502
60X25 mm Square Elbow
With One Side Moving



260-503
60X25 mm Square Elbow
With Vertical Moving



260-504
60X25 mm Square
Elbow With Side
Moving



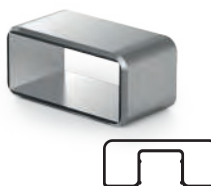
260-508
60X25 mm Square Elbow
90°(Middle Channel)



260-509
60X25 mm Square Elbow
45°(Middle Channel)



260-702
60X25 mm Square
Plug



260-601
60X25 mm Ring



260-702
60X25 mm Square Plug



260-301
60X25 mm Wall Flange

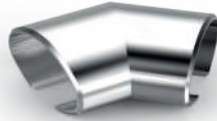


ALUSMART

SERIES



360-513
Elliptic 60x25 Elbow 90°
(Middle Channel)



360-514
Elliptic 60x25 Elbow 45°
(Middle Channel)



360-301
360-301 Elliptic 60x25
Wall Flange



360-701
Elliptic 60x25 Plug



360-501
Elliptic 60x25 Elbow for
Both Side Moving



360-502
Elliptic 60x25 Elbow With
One Side Moving



360-503
Elliptic 60x25 Elbow
With Vertical Moving



360-504
Elliptic 60x25 Elbow
With Side Moving



360-601
Elliptic 60x25 Ring

ALUSMART SERIES



100-001
Pistol for 410 gr



100-002
410 gr Epoxy
Adhesive



100-006
Granit Cutter Tool



500-013
8 Metric Anchor



500-014
8 Metric Anchor



500-015
8 Metric Anchor



500-016
8 Metric Anchor



500-017
15 cm Screw + Dowel



500-018
Inox Bolt M8x25

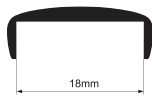
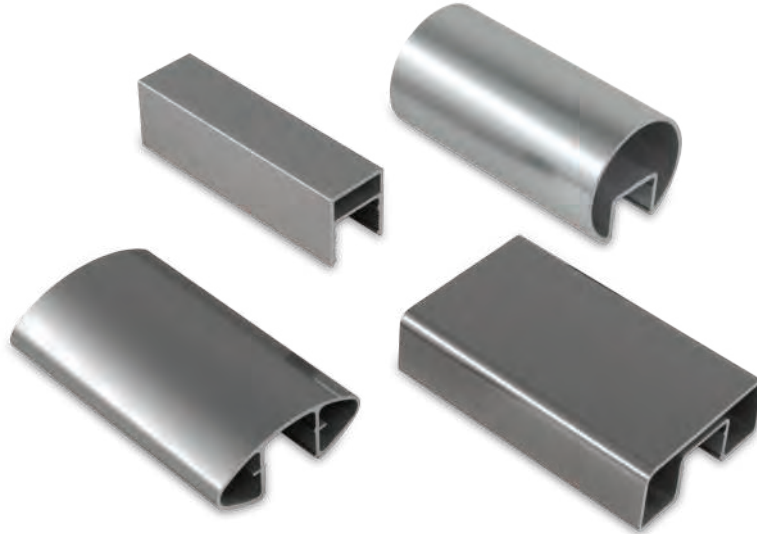


500-019
Bolt M8

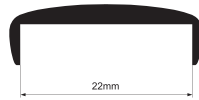


ALUSMART

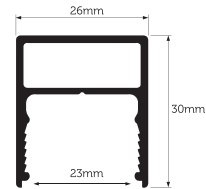
SERIES



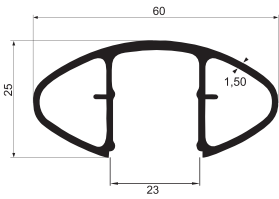
2994
Glass Cover Profile
For Top



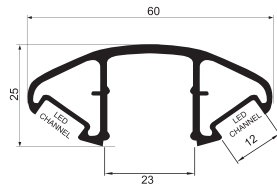
2995
Glass Cover Profile
For Top



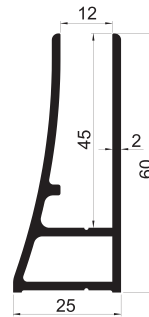
6109
Glass Cover Profile For
Top 0,548 Kg/M



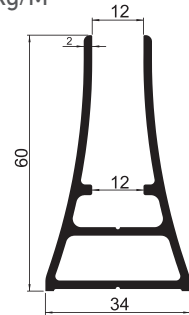
08-078
0,699 Kg/Mt



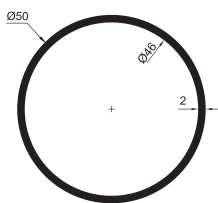
6149
Top Handrail With Led
Channel 0,743 Kg/Mt



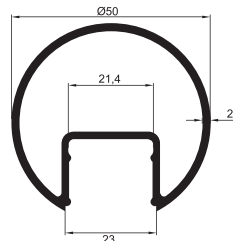
2917
0,892 Kg/M



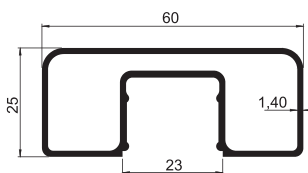
2918
1.002 Kg/M



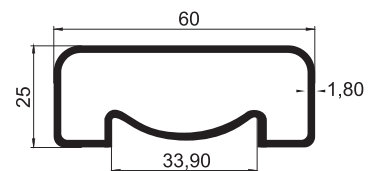
2003
0,815 Kg/M



2919
0,980 Kg/M



2907
0,775 Kg/M



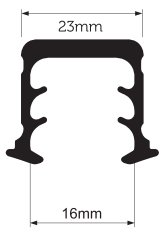
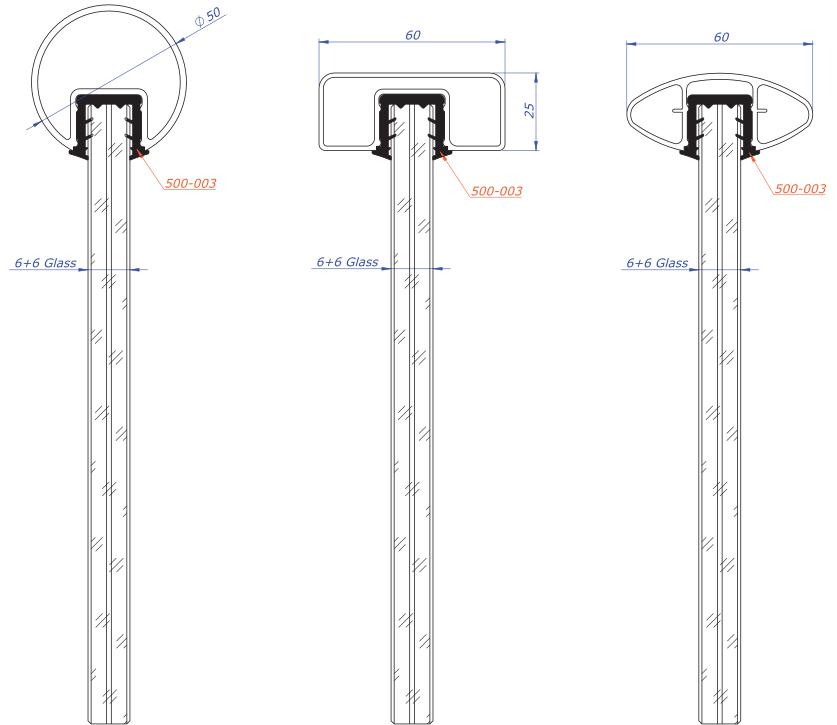
2600
1.002 Kg/M



ALUSMART SERIES



500-003
Glass Connection Rubber



500-004
Glass Connection Rubber

